

SMD LED LAMP
BL-LS0805XX
Features:

- ∅ 2.0mmx1.25mm SMD, 0.8mm THICKNESS
- ∅ Mono-color type
- ∅ Compatible with automatic placement equipment
- ∅ WIDE VIEWING ANGLE.
- ∅ IDEAL FOR BACKLIGHT AND INDICATOR.
- ∅ PACKAGE: 4KPCS/REEL
- ∅ RoHs Compliance


Electrical-optical characteristics: (Ta=25°C) (Test Condition: IF=20mA)

Part Number	Chip			Lens Type	Forward Voltage(VF) Unit:V		Luminous Intensity (Iv) Unit:mcd		Viewing Angle 2θ/2 (deg)
	Emitted Color	Material	λ _p f (nm)		Typ	Max	Min.	Typ.	
					BL-LS0805HC	Red	GaP	700	
BL-LS0805SRC	Super Red	AlGaAs	660	1.85	2.30	5	13		
BL-LS0805LRC	Super Red	AlGaAs	660	1.85	2.30	10	28		
BL-LS0805EC	Orange	GaAsP	640	2.10	2.70	1	6		
BL-LS0805YC	Yellow	GaAsP	583	2.15	2.70	1	6		
BL-LS0805GC	Green	GaP	568	2.30	2.70	6	15		

Absolute maximum ratings (Ta=25°C)

Parameter	H	SR	LR	UR	E	Y	G	Unit
Forward Current I _F	30	30	30	30	30	30	30	mA
Power Dissipation P _d	65	78	78	78	65	65	65	mW
Reverse Voltage V _R	5	5	5	5	5	5	5	V
Peak Forward Current I _{PF} (Duty 1/10 @1KHZ)	100	100	100	100	100	100	100	mA
Operation Temperature T _{OPR}	-30 to +80							°C
Storage Temperature T _{STG}	-40 to +85							°C
Lead Soldering Temperature T _{SOL}	Max.260±5°C for 3 sec Max. (1.6mm from the base of the epoxy bulb)							°C

SMD LED LAMP
BL-LS0805XX
Electrical-optical characteristics: (Ta=25°C) (Test Condition: IF=20mA)

Part Number	Chip			Lens Type	Forward Voltage(VF) Unit:V		Luminous Intensity (lv) Unit:mcd		Viewing Angle 2θ/2 (deg)
	Emitted Color	Material	λ _P (nm)		Typ	Max	Min.	Typ.	
					BL-LS0805UDR	Ultra Red	AlGaAs	655	
BL-LS0805UHR	Ultra Red	AlGaAs	645	2.10	2.60	30	80		
BL-LS0805UEC	Ultra Orange	AlGaAs	630	2.10	2.50	30	70		
BL-LS0805UHD	Ultra Orange	AlGaAs	618	2.10	2.60	50	110		
BL-LS0805UYO	Ultra Amber	AlGaInP	610	2.10	2.60	30	70		
BL-LS0805UYC	Ultra Yellow	AlGaInP	593	2.10	2.60	25	75		
BL-LS0805UGC	Ultra Green	AlGaInP	575	2.20	2.70	10	45		
BL-LS0805PGC	Ultra Pure Green	InGaN	525	3.50	4.20	50	100		
BL-LS0805BGC	Ultra Bluish Green	InGaN	505	3.50	4.20	50	110		
BL-LS0805DNB	Blue	InGaN	470	3.50	4.20	10	38		
BL-LS0805UBC	Ultra Blue	InGaN	470	3.50	4.20	10	30		
BL-LS0805UWC	Ultra White	InGaN	/	3.50	4.20	40	200		

Absolute maximum ratings (Ta=25°C)

Parameter	UDR	UHR	UE	UHD	UYO	UY	UG	PG	BG	DNB	UB	UW	Unit
Forward Current I _F	30	30	30	30	30	30	30	30	30	30	30	30	mA
Power Dissipation P _d	78	78	78	78	78	78	78	78	78	78	78	78	mW
Reverse Voltage V _R	5	5	5	5	5	5	5	5	5	5	5	5	V
Peak Forward Current I _{PF} (Duty 1/10 @1KHZ)	100	100	100	100	100	100	100	100	100	100	100	100	mA
Operation Temperature T _{OPR}	-30 to +80												°C
Storage Temperature T _{STG}	-40 to +85												°C
Lead Soldering Temperature T _{SOL}	Max.260±5°C for 3 sec Max. (1.6mm from the base of the epoxy bulb)												°C

SMD LED LAMP

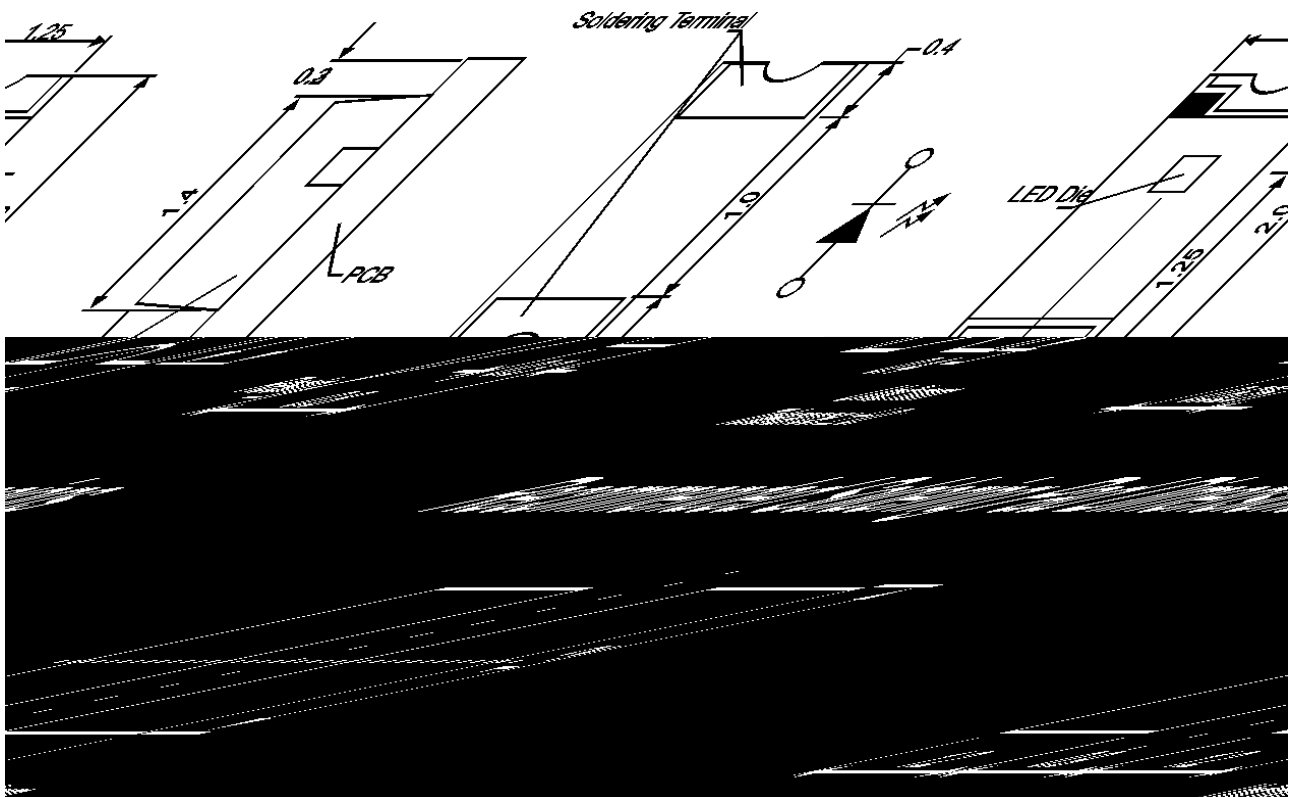
BL-LS0805XX

Package configuration & Internal circuit diagram

BL-LS0805 Series

Package Outline Drawing

Package



Notes:

1. All dimensions are in millimeters (inches)
2. Tolerance is $\pm 0.25(0.01)$ unless otherwise noted.
3. Specifications are subject to change without notice.

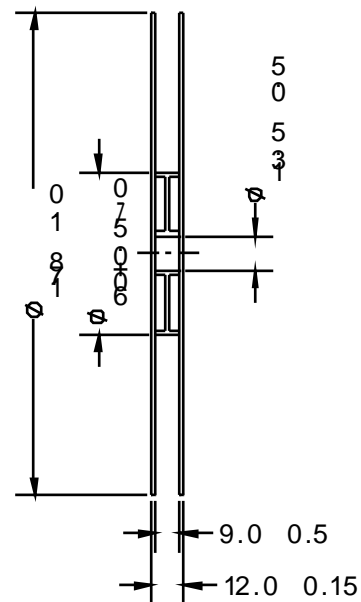
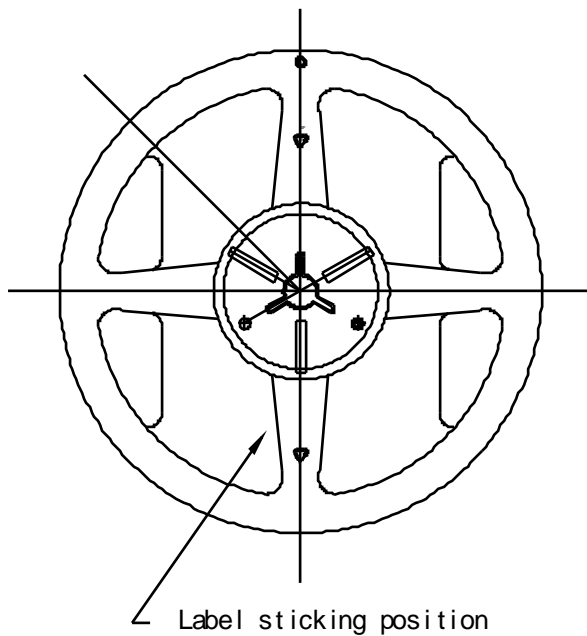
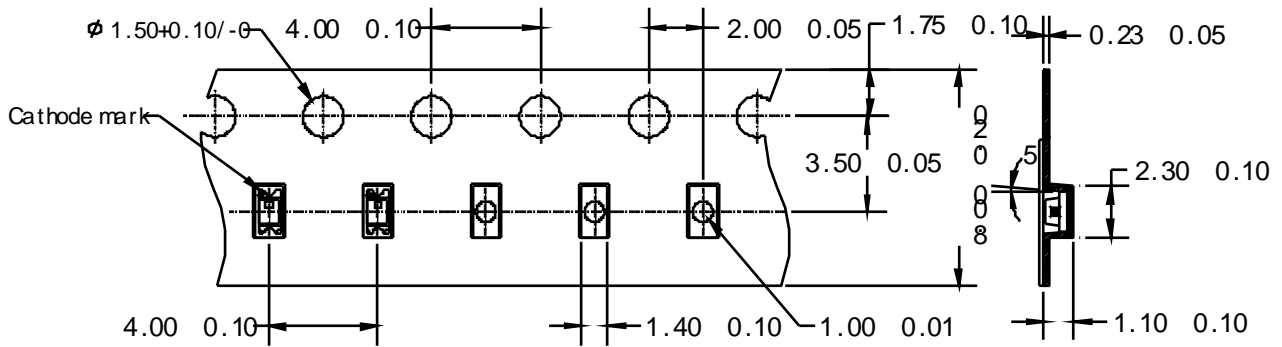
SMD LED LAMP

BL-LS0805XX

Tape Specifications

Unit: mm

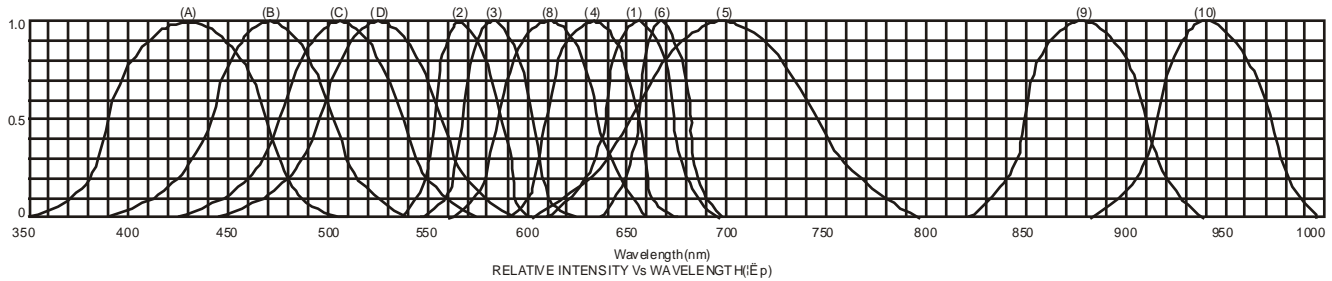
Tolerance: 0.1



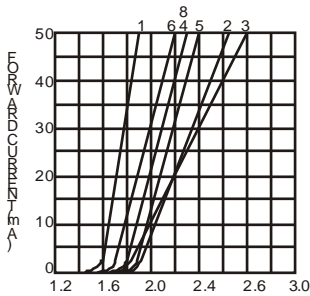
SMD LED LAMP

BL-LS0805XX

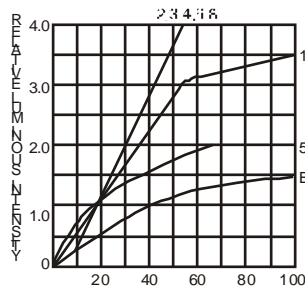
Typical electrical-optical characteristics curves:



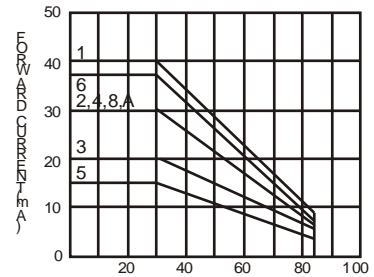
- (1) - GaAsP/GaAs 655nm/Red
- (2) - GaP 570nm/Yellow Green
- (3) - GaAsP/GaP 585nm/Yellow
- (4) - GaAsP/GaP 635nm/Orange & Hi-Eff Red
- (5) - GaP 700nm/Bright Red
- (6) - GaAlAs/GaAs 660nm/Super Red
- (8) - GaAsP/GaP 610nm/Super Red
- (9) - GaAlAs 880nm
- (10) - GaAs/GaAs & GaAlAs/GaAs 940nm
- (A) - GaN/SiC 430nm/Blue
- (B) - InGaN/SiC 470nm/Blue
- (C) - InGaN/SiC 505nm/Ultra Green
- (D) - InGaAlSiC 525nm/Ultra Green



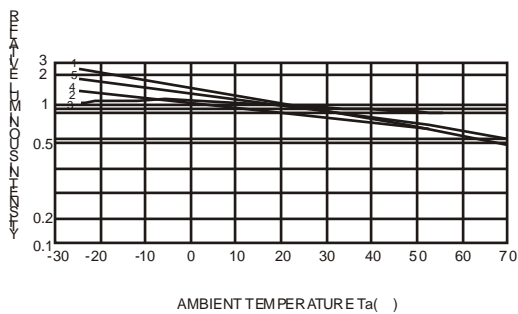
FORWARD VOLTAGE (Vf)
FORWARD CURRENT VS.
FORWARD VOLTAGE



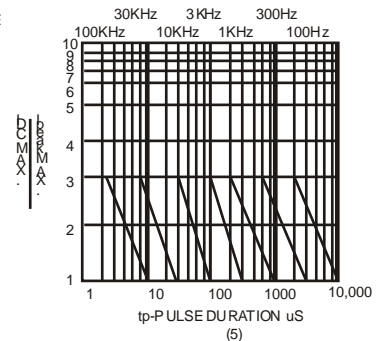
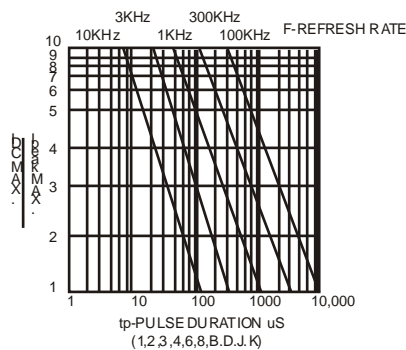
FORWARD CURRENT (mA)
RELATIVE LUMINOUS
INTENSITY VS. FORWARD
CURRENT



AMBIENT TEMPERATURE Ta()
FORWARD CURRENT VS. AMBIENT
TEMPERATURE



AMBIENT TEMPERATURE Ta()



NOTE:25 free air temperature unless otherwise specified

SMD LED LAMP

BL-LS0805XX

Packing and weighting

