

Designation system

Seven Segment LED display

BL- S 28 A- 1 1 S-2 1- L4

BETLUX

Digit Number:
1- Single digit
2- Double digit
3- Three digit
4- Four digit

Model Number

Special Device:
-Lxx: Pin Length
-B: Both Side Decimal Point
-N: No Decimal Point

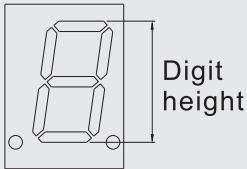
SS-Singe digit SMD	
DS-Double digit SMD	
S-Single digit	
D-Double digit	
T-Three digit	
Q-Four digit and Over	
SE-Large segment	
SC-Single digit Customized	

Drive Mode		
A.C.E.G.I.K. M.O.Q.S.U.W	Common Cathode	
B.D.F.H.J.L. N.P.R.T.V.X	Common Anode	
Z	Universal	

Segment Epoxy Color:	
0-Water Clear	
1-White Diffused	
2-Red Diffused	
3-Green Diffused	
4-Yellow Diffused	
5-Blue Diffused	

Digit Character Height: 180-1.80" May be two symbols

25-0.25"	52-0.52"	400-4.0"
28-0.28"	54-0.54"	500-5.0"
30-0.30"	56-0.56"	600-6.0"
31-0.31"	60-0.60"	700-7.0"
32-0.32"	80-0.80"	800-8.0"
36-0.36"	100-1.0"	1000-10"
39-0.39"	120-1.2"	1200-12"
40-0.40"	150-1.5"	2000-20"
42-0.42"	180-1.8"	
44-0.44"	200-2.0"	
48-0.48"	230-2.3"	
50-0.50"	300-3.0"	



Code	Color	Wavelength(nm)	Material
H	Red	700	GaP
S	Hi Red	660	AlGaAs,SH
UR	Ultra Red	660	AlgaAs,DDH
UHR	Ultra Red	640	AlGaInP
E	Red	635	GaAsP
UE	Ultra Red	630	AlGaInP
G	Green	570	GaP
UG	Ultra Green	574	AlGaInP
PG	Ultra Pure Green	525	AlGaInP
Y	Yellow	585	GaAsP
UY	Ultra Yellow	590	AlGaInP
UYO	Ultra Amber	610	AlGaInP
UB	Ultra Blue	470	InGaN
UW	Ultra White	-	InGaN
UW	Ultra Warm White	-	InGaN

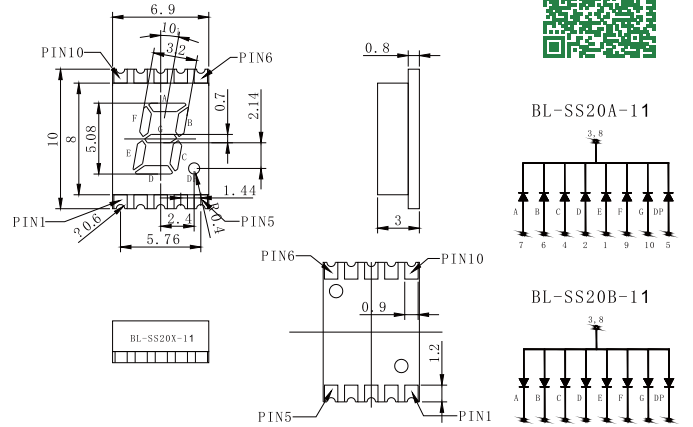
Reflector Surface Color:	
0-White Surface	
1-Black Surface	
2-Gray Surface	
3-Red Surface	
4-Green Surface	
5-Yellow Surface	
6-Blue Surface	

SMD LED Display

Part No		Chip			Vf unit:V		Iv(mcd)	Drawing
Common Cathode	Common Anode	Emit Color	Material	λP (nm)	Min	Typ.		

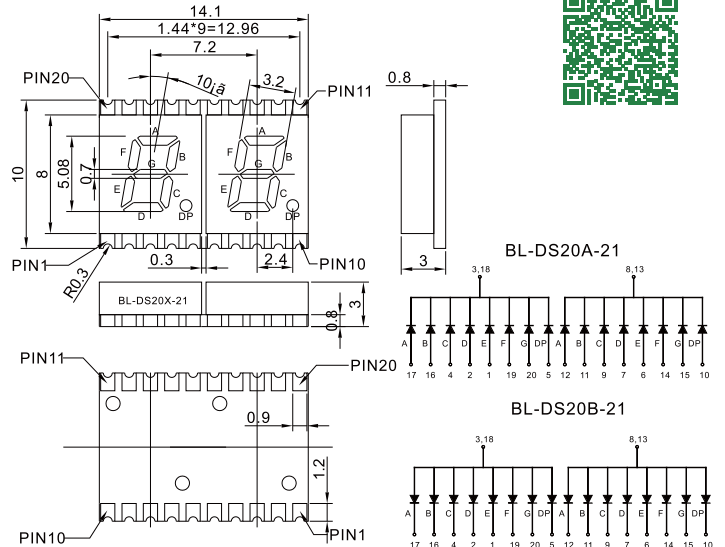
BL-SS20A-11S-XX	BL-SS20B-11S-XX	Hi Red	GaAlAs/GaAs_SH	660	1.85	2.2	6
BL-SS20A-11D-XX	BL-SS20B-11D-XX	Super Red	GaAlAs/GaAs_DH	660	1.85	2.2	12
BL-SS20A-11UR-XX	BL-SS20B-11UR-XX	Ultra Red	GaAlAs/GaAs_DDH	660	1.85	2.2	14
BL-SS20A-11E-XX	BL-SS20B-11E-XX	Orange	GaAsP/GaP	635	2.1	2.5	10
BL-SS20A-11Y-XX	BL-SS20B-11Y-XX	Yellow	GaAsP/GaP	585	2.1	2.5	10
BL-SS20A-11G-XX	BL-SS20B-11G-XX	Green	GaP/GaP	570	2.2	2.5	10
BL-SS20A-11UHR-XX	BL-SS20B-11UHR-XX	Ultra Red	AlGaInP	645	2.1	2.5	14
BL-SS20A-11UE-XX	BL-SS20B-11UE-XX	Ultra Orange	AlGaInP	630	2.1	2.5	12
BL-SS20A-11YO-XX	BL-SS20B-11YO-XX	Ultra Amber	AlGaInP	619	2.1	2.5	12
BL-SS20A-11UY-XX	BL-SS20B-11UY-XX	Ultra Yellow	AlGaInP	590	2.1	2.5	12
BL-SS20A-11UG-XX	BL-SS20B-11UG-XX	Ultra Green	AlGaInP	574	2.2	2.5	18
BL-SS20A-11PG-XX	BL-SS20B-11PG-XX	Ultra Pure Green	InGaN	525	3.8	4.5	22
BL-SS20A-11B-XX	BL-SS20B-11B-XX	Ultra Blue	InGaN	470	2.7	4.2	25
BL-SS20A-11W-XX	BL-SS20B-11W-XX	Ultra White	InGaN	/	2.7	4.2	30

BL-SS20X-11 Series



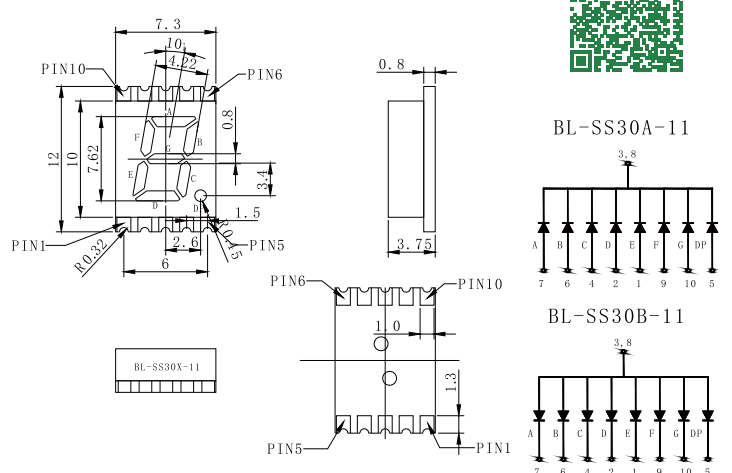
BL-DS20A-21S-XX	BL-DS20B-21S-XX	Hi Red	GaAlAs/GaAs_SH	660	1.85	2.2	100
BL-DS20A-21D-XX	BL-DS20B-21D-XX	Super Red	GaAlAs/GaAs_DH	660	1.85	2.2	110
BL-DS20A-21UR-XX	BL-DS20B-21UR-XX	Ultra Red	GaAlAs/GaAs_DDH	660	1.85	2.2	150
BL-DS20A-21E-XX	BL-DS20B-21E-XX	Orange	GaAsP/GaP	635	2.1	2.5	45
BL-DS20A-21Y-XX	BL-DS20B-21Y-XX	Yellow	GaAsP/GaP	585	2.1	2.5	45
BL-DS20A-21G-XX	BL-DS20B-21G-XX	Green	GaP/GaP	570	2.2	2.5	45
BL-DS20A-21UHR-XX	BL-DS20B-21UHR-XX	Ultra Red	AlGaInP	645	2.1	2.5	150
BL-DS20A-21UE-XX	BL-DS20B-21UE-XX	Ultra Orange	AlGaInP	630	2.1	2.5	130
BL-DS20A-21YO-XX	BL-DS20B-21YO-XX	Ultra Amber	AlGaInP	619	2.1	2.5	130
BL-DS20A-21UY-XX	BL-DS20B-21UY-XX	Ultra Yellow	AlGaInP	590	2.1	2.5	120
BL-DS20A-21UG-XX	BL-DS20B-21UG-XX	Ultra Green	AlGaInP	574	2.2	2.5	90
BL-DS20A-21PG-XX	BL-DS20B-21PG-XX	Ultra Pure Green	InGaN	525	3.8	4.5	180
BL-DS20A-21B-XX	BL-DS20B-21B-XX	Ultra Blue	InGaN	470	2.7	4.2	70
BL-DS20A-21W-XX	BL-DS20B-21W-XX	Ultra White	InGaN	/	2.7	4.2	70

BL-DS20X-21 Series



BL-SS30A-11S-XX	BL-SS30B-11S-XX	Hi Red	GaAlAs/GaAs_SH	660	1.85	2.2	6
BL-SS30A-11D-XX	BL-SS30B-11D-XX	Super Red	GaAlAs/GaAs_DH	660	1.85	2.2	12
BL-SS30A-11UR-XX	BL-SS30B-11UR-XX	Ultra Red	GaAlAs/GaAs_DDH	660	1.85	2.2	14
BL-SS30A-11E-XX	BL-SS30B-11E-XX	Orange	GaAsP/GaP	635	2.1	2.5	10
BL-SS30A-11Y-XX	BL-SS30B-11Y-XX	Yellow	GaAsP/GaP	585	2.1	2.5	10
BL-SS30A-11G-XX	BL-SS30B-11G-XX	Green	GaP/GaP	570	2.2	2.5	10
BL-SS30A-11UHR-XX	BL-SS30B-11UHR-XX	Ultra Red	AlGaInP	645	2.1	2.5	14
BL-SS30A-11UE-XX	BL-SS30B-11UE-XX	Ultra Orange	AlGaInP	630	2.1	2.5	12
BL-SS30A-11YO-XX	BL-SS30B-11YO-XX	Ultra Amber	AlGaInP	619	2.1	2.5	12
BL-SS30A-11UY-XX	BL-SS30B-11UY-XX	Ultra Yellow	AlGaInP	590	2.1	2.5	12
BL-SS30A-11UG-XX	BL-SS30B-11UG-XX	Ultra Green	AlGaInP	574	2.2	2.5	18
BL-SS30A-11PG-XX	BL-SS30B-11PG-XX	Ultra Pure Green	InGaN	525	3.8	4.5	22
BL-SS30A-11B-XX	BL-SS30B-11B-XX	Ultra Blue	InGaN	470	2.7	4.2	25
BL-SS30A-11W-XX	BL-SS30B-11W-XX	Ultra White	InGaN	/	2.7	4.2	30

BL-SS30X-11 Series



All dimensions are in millimeters (inches)
Tolerance is $\pm 0.25(0.01)$ unless otherwise note

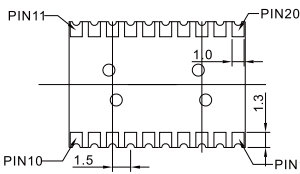
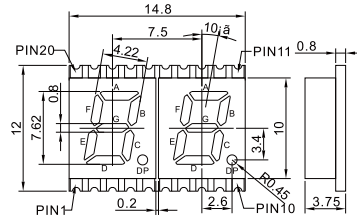
For more, please visit <http://www.betlux.com>

SMD LED Display

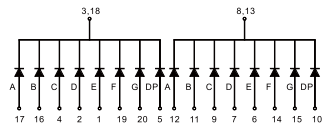
Part No		Chip			Vf unit:V		Iv(mcd)	Drawing
Common Cathode	Common Anode	Emit Color	Material	λP (nm)	Min	Typ.	Typ.	

BL-DS30A-21S-XX	BL-DS30B-21S-XX	Hi Red	GaAlAs/GaAs,SH	660	1.85	2.2	100
BL-DS30A-21D-XX	BL-DS30B-21D-XX	Super Red	GaAlAs/GaAs,DH	660	1.85	2.2	110
BL-DS30A-21UR-XX	BL-DS30B-21UR-XX	Ultra Red	GaAlAs/GaAs,DDH	660	1.85	2.2	150
BL-DS30A-21E-XX	BL-DS30B-21E-XX	Orange	GaAsP/GaP	635	2.1	2.5	45
BL-DS30A-21Y-XX	BL-DS30B-21Y-XX	Yellow	GaAsP/GaP	585	2.1	2.5	45
BL-DS30A-21G-XX	BL-DS30B-21G-XX	Green	GaP/GaP	570	2.2	2.5	45
BL-DS30A-21UHR-XX	BL-DS30B-21UHR-XX	Ultra Red	AlGaN/P	645	2.1	2.5	150
BL-DS30A-21UE-XX	BL-DS30B-21UE-XX	Ultra Orange	AlGaN/P	630	2.1	2.5	130
BL-DS30A-21YO-XX	BL-DS30B-21YO-XX	Ultra Amber	AlGaN/P	619	2.1	2.5	130
BL-DS30A-21UY-XX	BL-DS30B-21UY-XX	Ultra Yellow	AlGaN/P	590	2.1	2.5	120
BL-DS30A-21UG-XX	BL-DS30B-21UG-XX	Ultra Green	AlGaN/P	574	2.2	2.5	90
BL-DS30A-21PG-XX	BL-DS30B-21PG-XX	Ultra Pure Green	InGaN	525	3.8	4.5	180
BL-DS30A-21B-XX	BL-DS30B-21B-XX	Ultra Blue	InGaN	470	2.7	4.2	70
BL-DS30A-21W-XX	BL-DS30B-21W-XX	Ultra White	InGaN	/	2.7	4.2	70

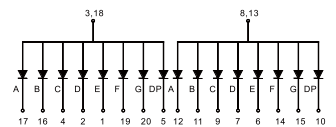
BL-DS30X-21 Series



BL-DS30A-21

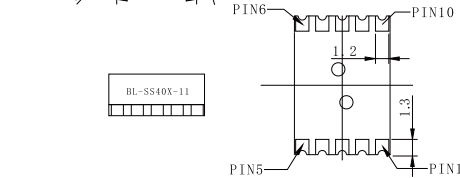
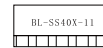
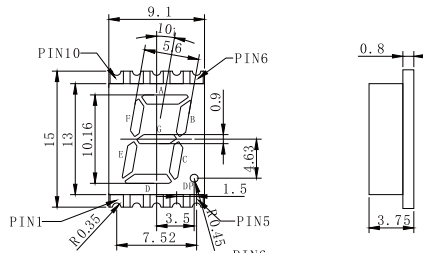


BL-DS30B-21

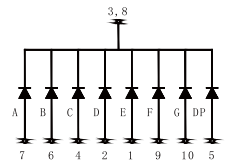


BL-SS40A-11S-XX	BL-SS40B-11S-XX	Hi Red	GaAlAs/GaAs,SH	660	1.85	2.2	8
BL-SS40A-11D-XX	BL-SS40B-11D-XX	Super Red	GaAlAs/GaAs,DH	660	1.85	2.2	15
BL-SS40A-11UR-XX	BL-SS40B-11UR-XX	Ultra Red	GaAlAs/GaAs,DDH	660	1.85	2.2	17
BL-SS40A-11E-XX	BL-SS40B-11E-XX	Orange	GaAsP/GaP	635	2.1	2.5	10
BL-SS40A-11Y-XX	BL-SS40B-11Y-XX	Yellow	GaAsP/GaP	585	2.1	2.5	10
BL-SS40A-11G-XX	BL-SS40B-11G-XX	Green	GaP/GaP	570	2.2	2.5	10
BL-SS40A-11UHR-XX	BL-SS40B-11UHR-XX	Ultra Red	AlGaN/P	645	2.1	2.5	17
BL-SS40A-11UE-XX	BL-SS40B-11UE-XX	Ultra Orange	AlGaN/P	630	2.1	2.5	13
BL-SS40A-11YO-XX	BL-SS40B-11YO-XX	Ultra Amber	AlGaN/P	619	2.1	2.5	13
BL-SS40A-11UY-XX	BL-SS40B-11UY-XX	Ultra Yellow	AlGaN/P	590	2.1	2.5	13
BL-SS40A-11UG-XX	BL-SS40B-11UG-XX	Ultra Green	AlGaN/P	574	2.2	2.5	15
BL-SS40A-11PG-XX	BL-SS40B-11PG-XX	Ultra Pure Green	InGaN	525	3.8	4.5	20
BL-SS40A-11B-XX	BL-SS40B-11B-XX	Ultra Blue	InGaN	470	2.7	4.2	26
BL-SS40A-11W-XX	BL-SS40B-11W-XX	Ultra White	InGaN	/	2.7	4.2	32

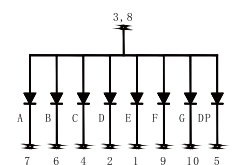
BL-SS40X-11 Series



BL-SS40A-11

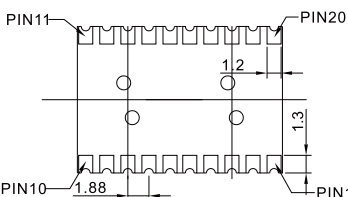
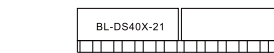
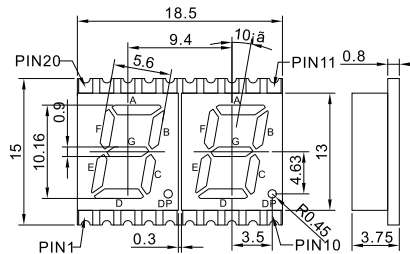


BL-SS40B-11

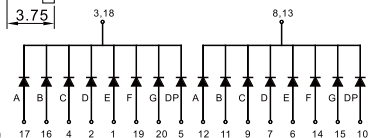


BL-DS40A-21S-XX	BL-DS40B-21S-XX	Hi Red	GaAlAs/GaAs,SH	660	1.85	2.2	90
BL-DS40A-21D-XX	BL-DS40B-21D-XX	Super Red	GaAlAs/GaAs,DH	660	1.85	2.2	110
BL-DS40A-21UR-XX	BL-DS40B-21UR-XX	Ultra Red	GaAlAs/GaAs,DDH	660	1.85	2.2	150
BL-DS40A-21E-XX	BL-DS40B-21E-XX	Orange	GaAsP/GaP	635	2.1	2.5	55
BL-DS40A-21Y-XX	BL-DS40B-21Y-XX	Yellow	GaAsP/GaP	585	2.1	2.5	60
BL-DS40A-21G-XX	BL-DS40B-21G-XX	Green	GaP/GaP	570	2.2	2.5	40
BL-DS40A-21UHR-XX	BL-DS40B-21UHR-XX	Ultra Red	AlGaN/P	645	2.1	2.5	150
BL-DS40A-21UE-XX	BL-DS40B-21UE-XX	Ultra Orange	AlGaN/P	630	2.1	2.5	115
BL-DS40A-21YO-XX	BL-DS40B-21YO-XX	Ultra Amber	AlGaN/P	619	2.1	2.5	115
BL-DS40A-21UY-XX	BL-DS40B-21UY-XX	Ultra Yellow	AlGaN/P	590	2.1	2.5	115
BL-DS40A-21UG-XX	BL-DS40B-21UG-XX	Ultra Green	AlGaN/P	574	2.2	2.5	100
BL-DS40A-21PG-XX	BL-DS40B-21PG-XX	Ultra Pure Green	InGaN	525	3.8	4.5	185
BL-DS40A-21B-XX	BL-DS40B-21B-XX	Ultra Blue	InGaN	470	2.7	4.2	70
BL-DS40A-21W-XX	BL-DS40B-21W-XX	Ultra White	InGaN	/	2.7	4.2	70

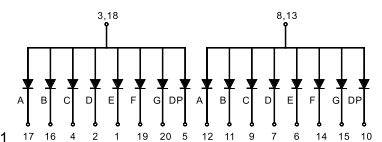
BL-DS40X-21 Series



BL-DS40A-21



BL-DS40B-21



All dimensions are in millimeters (inches)
Tolerance is $\pm 0.25(0.01)$ unless otherwise note

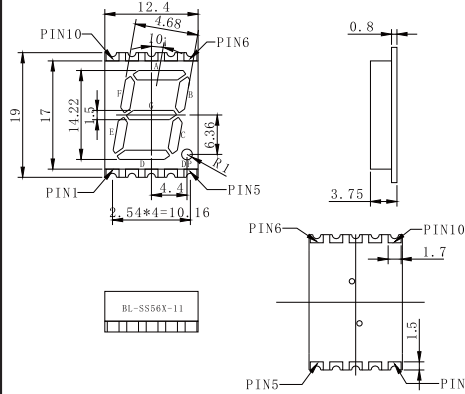
For more, please visit <http://www.betlux.com>

SMD LED Display

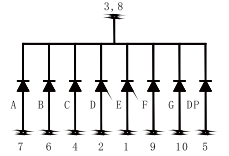
Part No		Chip			Vf unit:V		Iv(mcd)	Drawing
Common Cathode	Common Anode	Emit Color	Material	λP (nm)	Min	Typ.		

BL-SS56A-11S-XX	BL-SS56B-11S-XX	Hi Red	GaAlAs/GaAs,SH	660	1.85	2.2	30
BL-SS56A-11D-XX	BL-SS56B-11D-XX	Super Red	GaAlAs/GaAs, DH	660	1.85	2.2	45
BL-SS56A-11UR-XX	BL-SS56B-11UR-XX	Ultra Red	GaAlAs/GaAs, DDH	660	1.85	2.2	50
BL-SS56A-11E-XX	BL-SS56B-11E-XX	Orange	GaAsP/GaP	635	2.1	2.5	35
BL-SS56A-11Y-XX	BL-SS56B-11Y-XX	Yellow	GaAsP/GaP	585	2.1	2.5	35
BL-SS56A-11G-XX	BL-SS56B-11G-XX	Green	GaP/GaP	570	2.2	2.5	35
BL-SS56A-11UHR-XX	BL-SS56B-11UHR-XX	Ultra Red	AlGaInP	645	2.1	2.5	50
BL-SS56A-11UE-XX	BL-SS56B-11UE-XX	Ultra Orange	AlGaInP	630	2.1	2.5	38
BL-SS56A-11YO-XX	BL-SS56B-11YO-XX	Ultra Amber	AlGaInP	619	2.1	2.5	38
BL-SS56A-11UY-XX	BL-SS56B-11UY-XX	Ultra Yellow	AlGaInP	590	2.1	2.5	38
BL-SS56A-11UG-XX	BL-SS56B-11UG-XX	Ultra Green	AlGaInP	574	2.2	2.5	45
BL-SS56A-11PG-XX	BL-SS56B-11PG-XX	Ultra Pure Green	InGaN	525	3.8	4.5	60
BL-SS56A-11B-XX	BL-SS56B-11B-XX	Ultra Blue	InGaN	470	2.7	4.2	58
BL-SS56A-11W-XX	BL-SS56B-11W-XX	Ultra White	InGaN	/	2.7	4.2	65

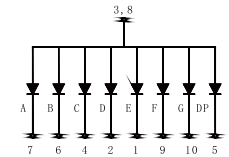
BL-SS56X-11 Series



BL-SS56A-11

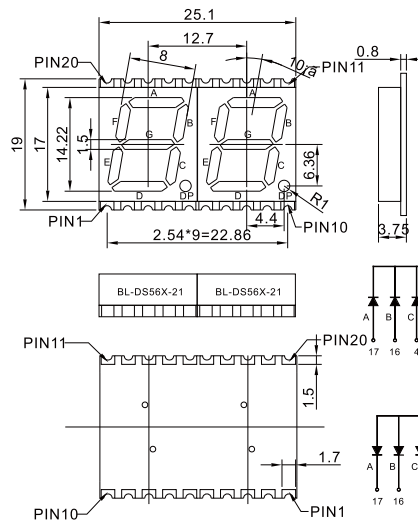


BL-SS56B-11

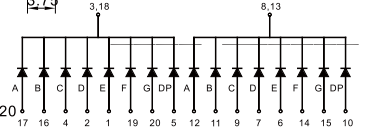


BL-DS56A-21S-XX	BL-DS56B-21S-XX	Hi Red	GaAlAs/GaAs, SH	660	1.85	2.2	120
BL-DS56A-21D-XX	BL-DS56B-21D-XX	Super Red	GaAlAs/GaAs, DH	660	1.85	2.2	140
BL-DS56A-21UR-XX	BL-DS56B-21UR-XX	Ultra Red	GaAlAs/GaAs, DDH	660	1.85	2.2	160
BL-DS56A-21E-XX	BL-DS56B-21E-XX	Orange	GaAsP/GaP	635	2.1	2.5	60
BL-DS56A-21Y-XX	BL-DS56B-21Y-XX	Yellow	GaAsP/GaP	585	2.1	2.5	55
BL-DS56A-21G-XX	BL-DS56B-21G-XX	Green	GaP/GaP	570	2.2	2.5	55
BL-DS56A-21UHR-XX	BL-DS56B-21UHR-XX	Ultra Red	AlGaInP	645	2.1	2.5	160
BL-DS56A-21UE-XX	BL-DS56B-21UE-XX	Ultra Orange	AlGaInP	630	2.1	2.5	120
BL-DS56A-21YO-XX	BL-DS56B-21YO-XX	Ultra Amber	AlGaInP	619	2.1	2.5	75
BL-DS56A-21UY-XX	BL-DS56B-21UY-XX	Ultra Yellow	AlGaInP	590	2.1	2.5	75
BL-DS56A-21UG-XX	BL-DS56B-21UG-XX	Ultra Green	AlGaInP	574	2.2	2.5	75
BL-DS56A-21PG-XX	BL-DS56B-21PG-XX	Ultra Pure Green	InGaN	525	3.8	4.5	190
BL-DS56A-21B-XX	BL-DS56B-21B-XX	Ultra Blue	InGaN	470	2.7	4.2	88
BL-DS56A-21W-XX	BL-DS56B-21W-XX	Ultra White	InGaN	/	2.7	4.2	88

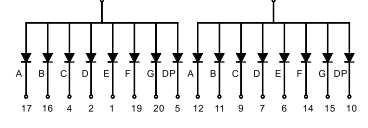
BL-DS56X-21 Series



BL-DS56A-21

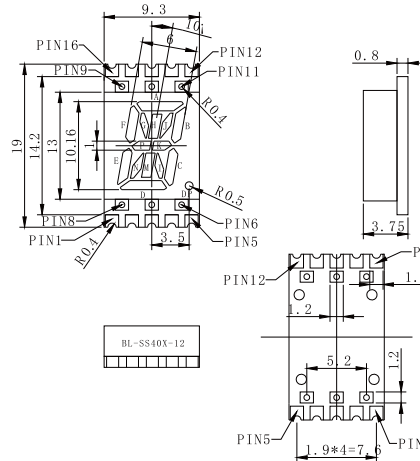


BL-DS56B-21

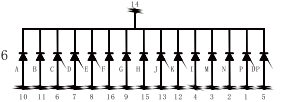


BL-SS40A-12S-XX	BL-SS40B-12S-XX	Hi Red	GaAlAs/GaAs, SH	660	1.85	2.2	8
BL-SS40A-12D-XX	BL-SS40B-12D-XX	Super Red	GaAlAs/GaAs, DH	660	1.85	2.2	15
BL-SS40A-12UR-XX	BL-SS40B-12UR-XX	Ultra Red	GaAlAs/GaAs, DDH	660	1.85	2.2	17
BL-SS40A-12E-XX	BL-SS40B-12E-XX	Orange	GaAsP/GaP	635	2.1	2.5	10
BL-SS40A-12Y-XX	BL-SS40B-12Y-XX	Yellow	GaAsP/GaP	585	2.1	2.5	10
BL-SS40A-12G-XX	BL-SS40B-12G-XX	Green	GaP/GaP	570	2.2	2.5	10
BL-SS40A-12UHR-XX	BL-SS40B-12UHR-XX	Ultra Red	AlGaInP	645	2.1	2.5	17
BL-SS40A-12UE-XX	BL-SS40B-12UE-XX	Ultra Orange	AlGaInP	630	2.1	2.5	13
BL-SS40A-12YO-XX	BL-SS40B-12YO-XX	Ultra Amber	AlGaInP	619	2.1	2.5	13
BL-SS40A-12UY-XX	BL-SS40B-12UY-XX	Ultra Yellow	AlGaInP	590	2.1	2.5	13
BL-SS40A-12UG-XX	BL-SS40B-12UG-XX	Ultra Green	AlGaInP	574	2.2	2.5	15
BL-SS40A-12PG-XX	BL-SS40B-12PG-XX	Ultra Pure Green	InGaN	525	3.8	4.5	20
BL-SS40A-12B-XX	BL-SS40B-12B-XX	Ultra Blue	InGaN	470	2.7	4.2	26
BL-SS40A-12W-XX	BL-SS40B-12W-XX	Ultra White	InGaN	/	2.7	4.2	32

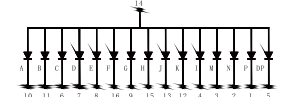
BL-SS40X-12 Series



BL-SS40A-12



BL-SS40B-12



All dimensions are in millimeters (inches)
Tolerance is $\pm 0.25(0.01)$ unless otherwise note

For more, please visit <http://www.betlux.com>