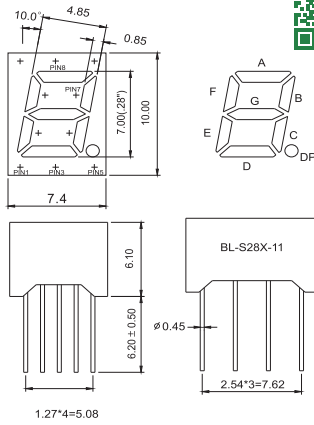


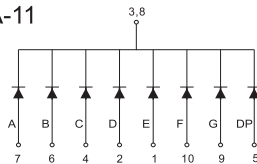
Single Digit Seven Segment LED display

Dimension and Circuit

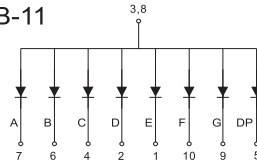
BL-S28X-11 Series



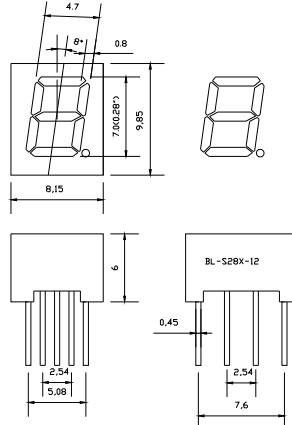
BL-S28A-11



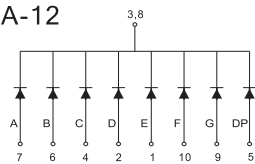
BL-S28B-11



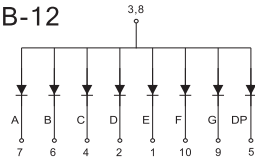
BL-S28X-12 Series



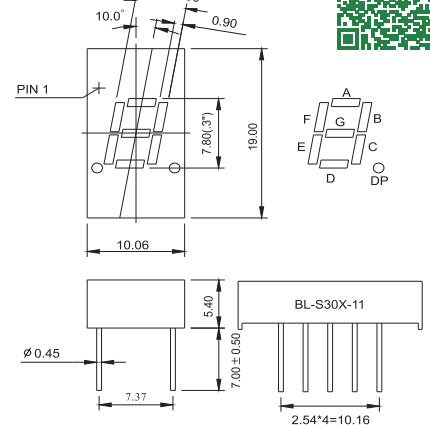
BL-S28A-12



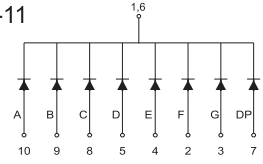
BL-S28B-12



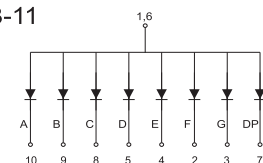
BL-S30X-11 Series



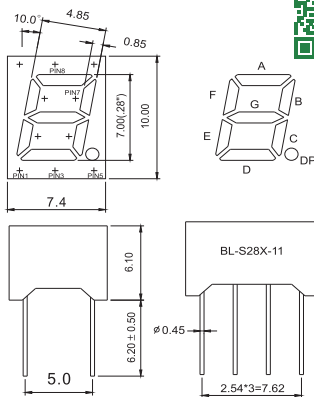
BL-S30A-11



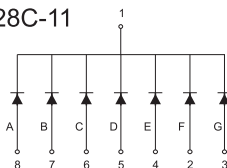
BL-S30B-11



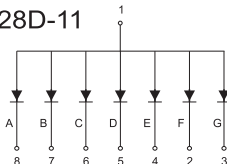
BL-S28X-11 Series



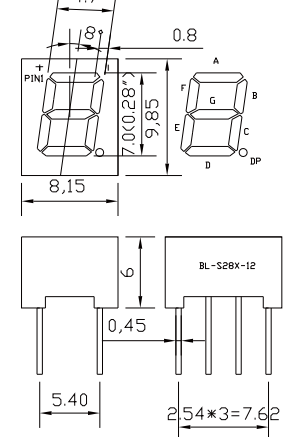
BL-S28C-11



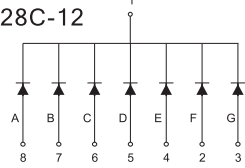
BL-S28D-11



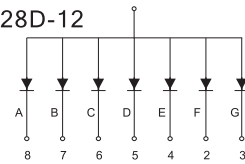
BL-S28X-12 Series



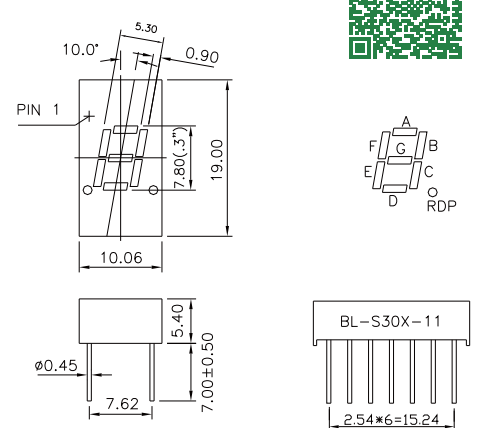
BL-S28C-12



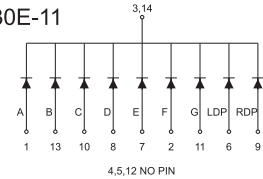
BL-S28D-12



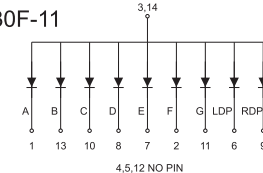
BL-S30X-11 Series



BL-S30E-11



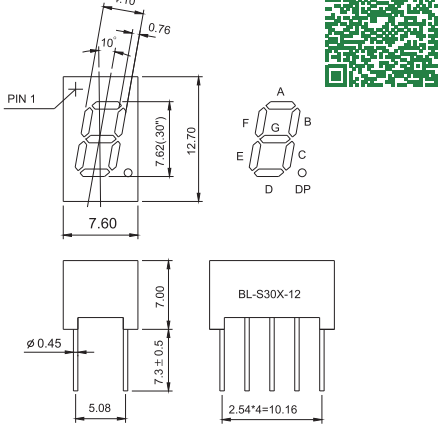
BL-S30F-11



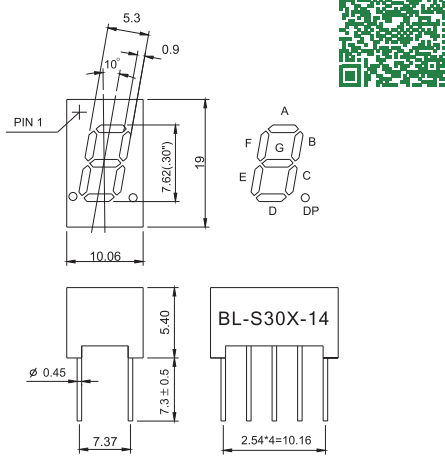
Single Digit Seven Segment LED display

Dimension and Circuit

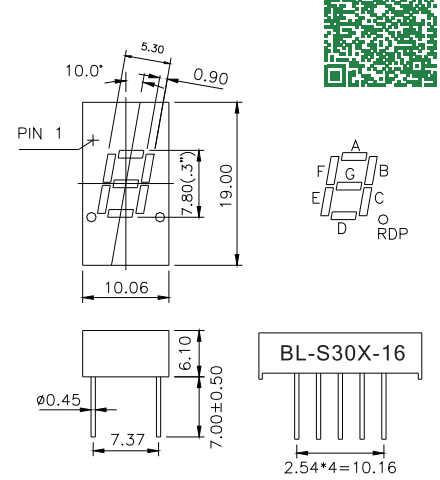
BL-S30X-12 Series



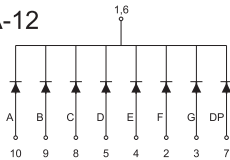
BL-S30X-14 Series



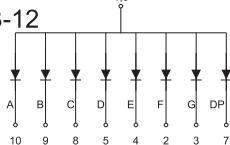
BL-S30X-16 Series



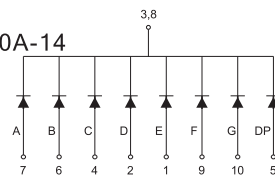
BL-S30A-12



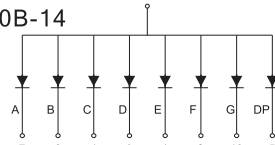
BL-S30B-12



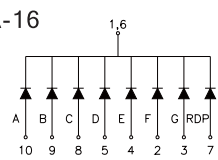
BL-S30A-14



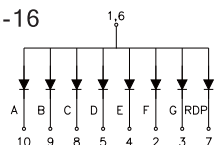
BL-S30B-14



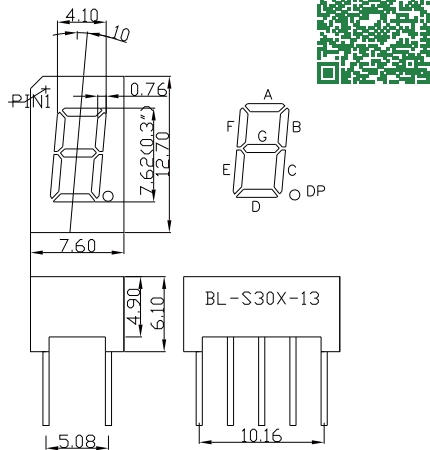
BL-S30A-16



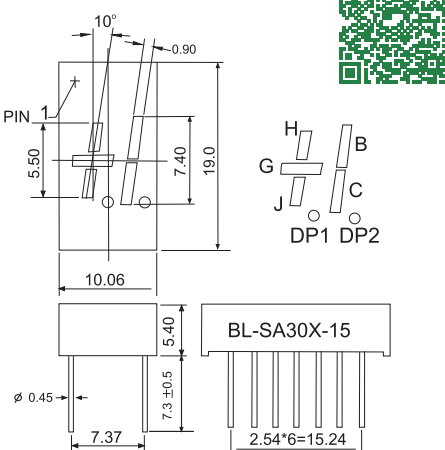
BL-S30B-16



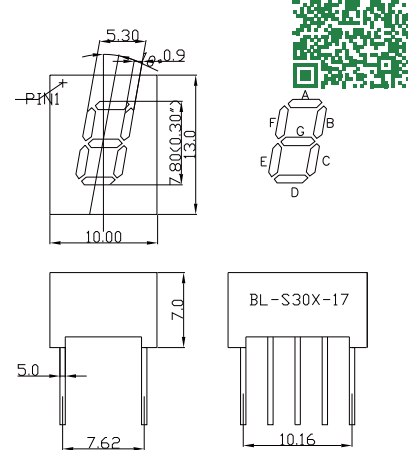
BL-S30X-13 Series



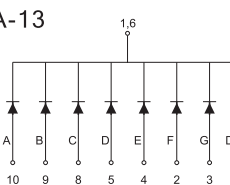
BL-S30X-15 Series



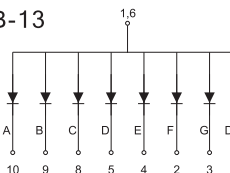
BL-S30X-17 Series



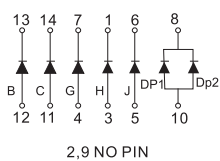
BL-S30A-13



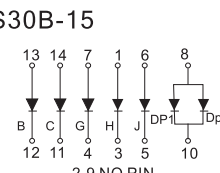
BL-S30B-13



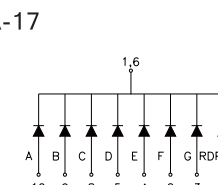
BL-S30A-15



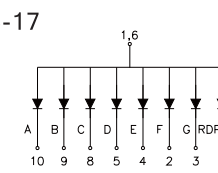
BL-S30B-15



BL-S30A-17



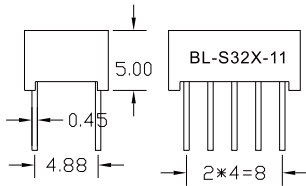
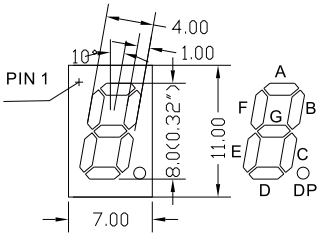
BL-S30B-17



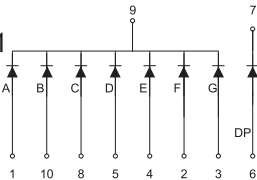
Single Digit Seven Segment LED display

Dimension and Circuit

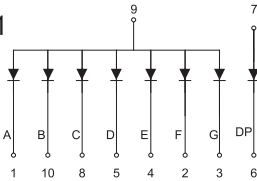
BL-S32X-11 Series



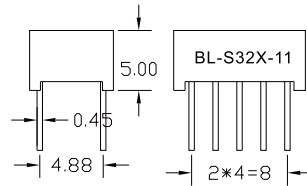
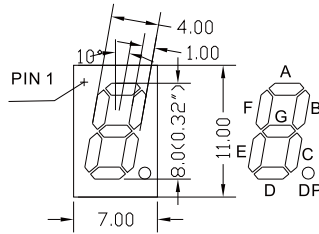
BL-S32A-11



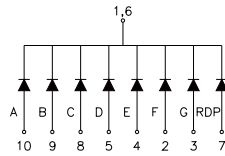
BL-S32B-11



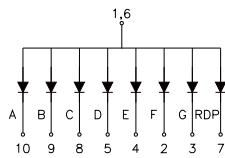
BL-S32X-11 Series



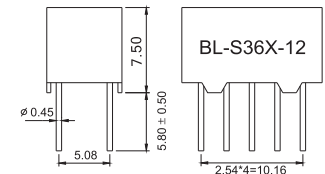
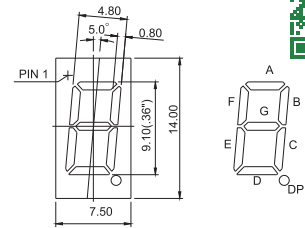
BL-S32E-11



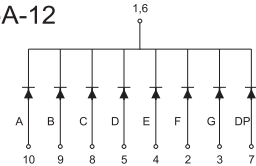
BL-S32F-11



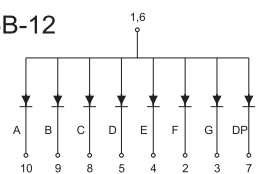
BL-S36X-12 Series



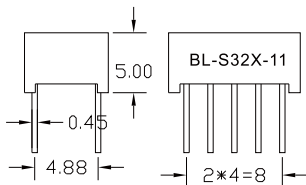
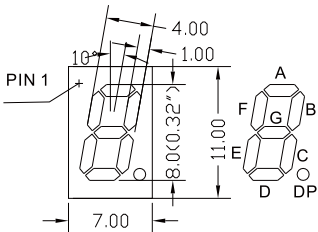
BL-S36A-12



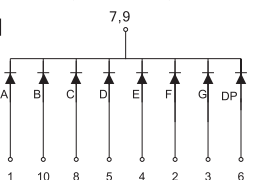
BL-S36B-12



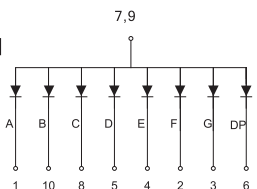
BL-S32X-11 Series



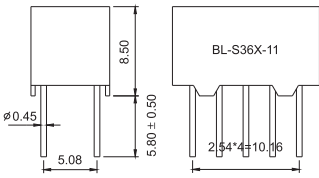
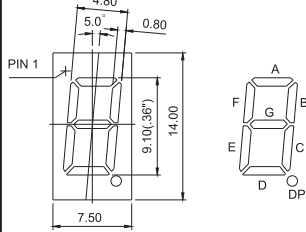
BL-S32C-11



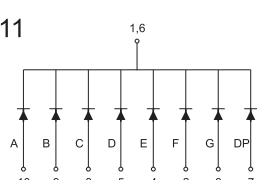
BL-S32D-11



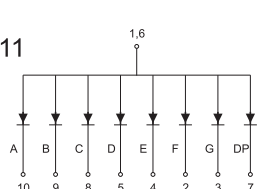
BL-S36X-11 Series



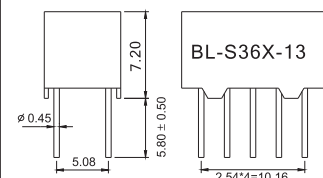
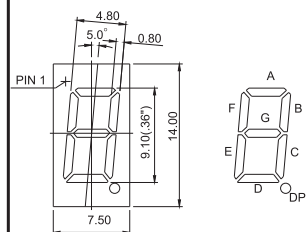
BL-S36A-11



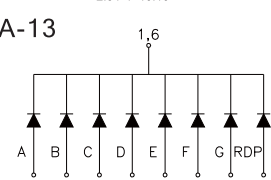
BL-S36B-11



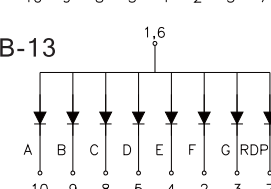
BL-S36X-13 Series



BL-S36A-13



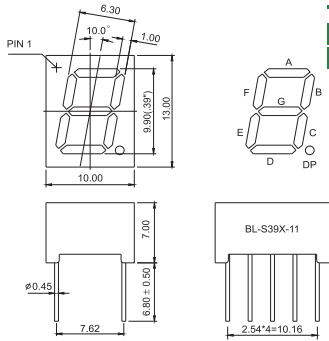
BL-S36B-13



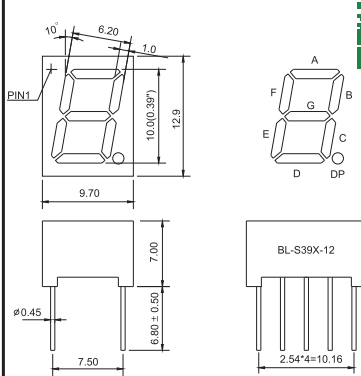
Single Digit Seven Segment LED display

Dimension and Circuit

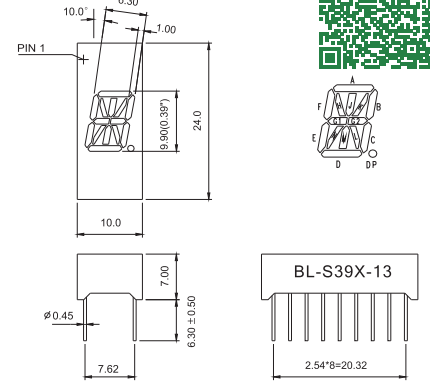
BL-S39X-11 Series



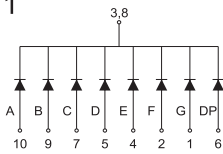
BL-S39X-12 Series



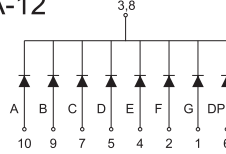
BL-S39X-13 Series



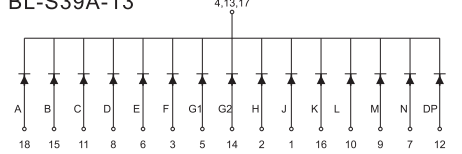
BL-S39A-11



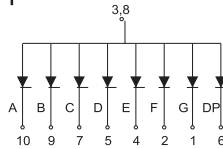
BL-S39A-12



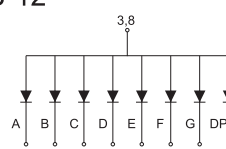
BL-S39A-13



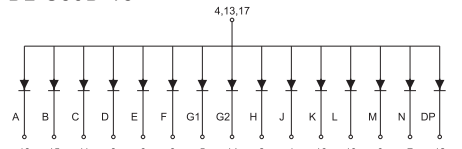
BL-S39B-11



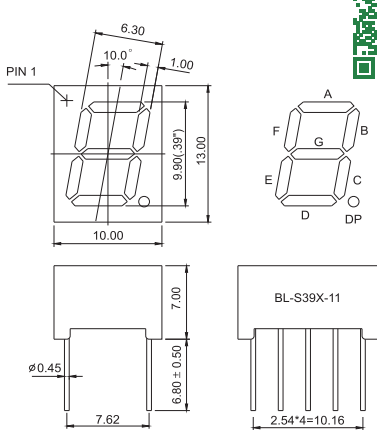
BL-S39B-12



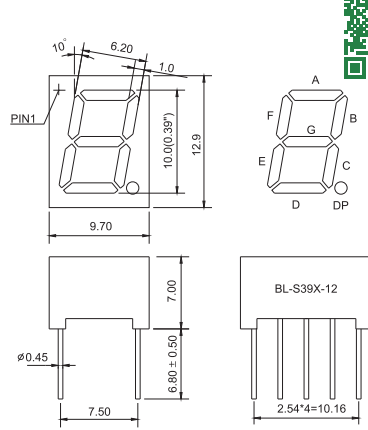
BL-S39B-13



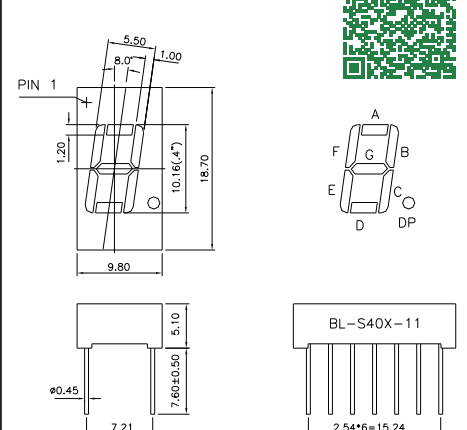
BL-S39X-11 Series



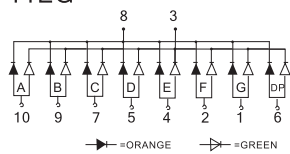
BL-S39X-12 Series



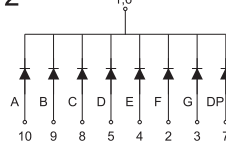
BL-S40X-11 Series



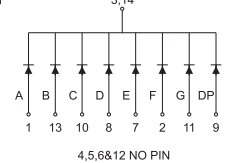
BL-S39A-11EG



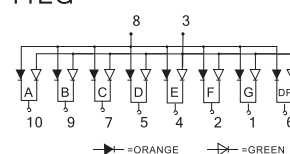
BL-S39C-12



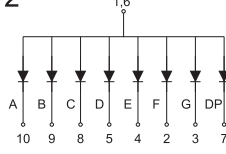
BL-S40A-11



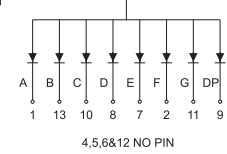
BL-S39B-11EG



BL-S39D-12



BL-S40B-11



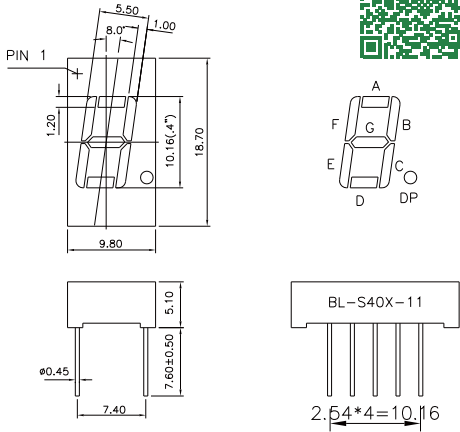
All dimensions are in millimeters (inches)
Tolerance is $\pm 0.25(0.01)$ unless otherwise note

For more, please visit <http://www.betlux.com>

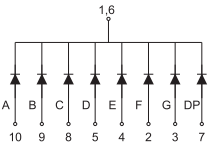
Single Digit Seven Segment LED display

Dimension and Circuit

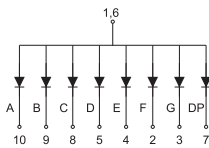
BL-S40X-11 Series



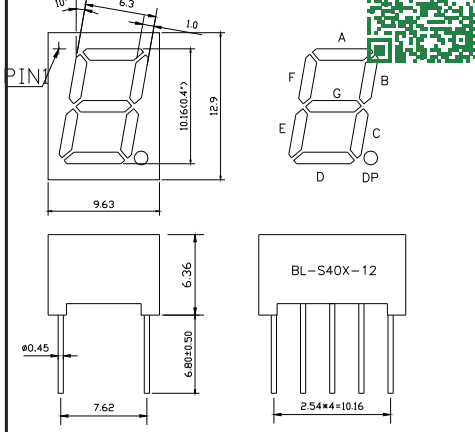
BL-S40C-11



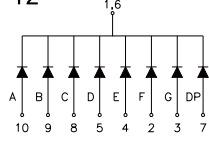
BL-S40D-11



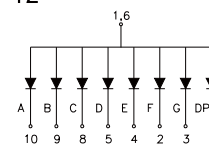
BL-S40X-12 Series



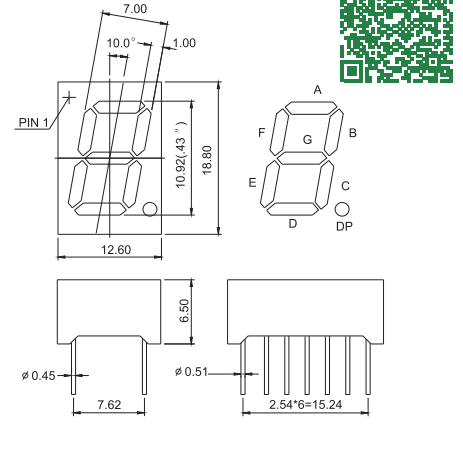
BL-S40A-12



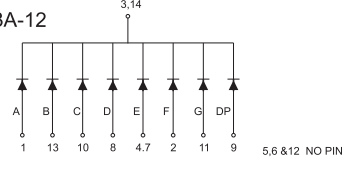
BL-S40B-12



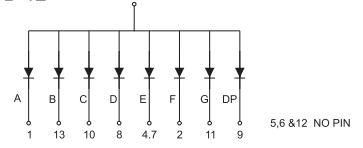
BL-S43X-12 Series



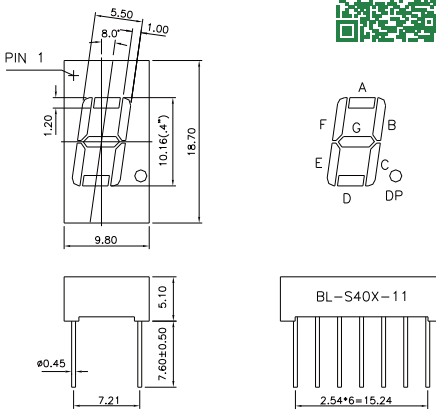
BL-S43A-12



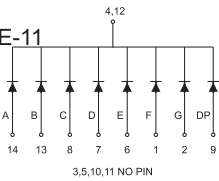
BL-S43B-12



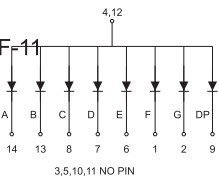
BL-S40X-11 Series



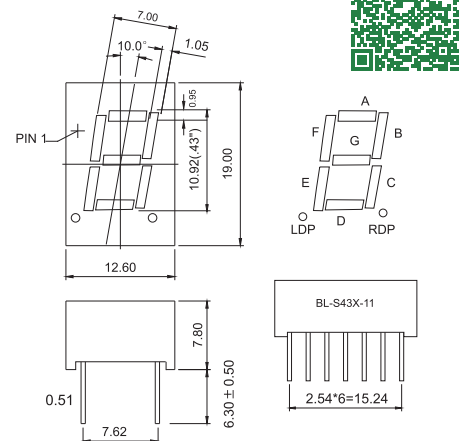
BL-S40E-11



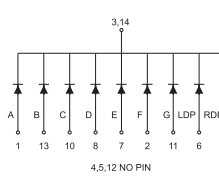
BL-S40F-11



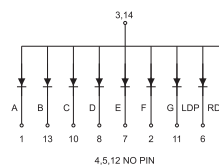
BL-S43X-11 Series



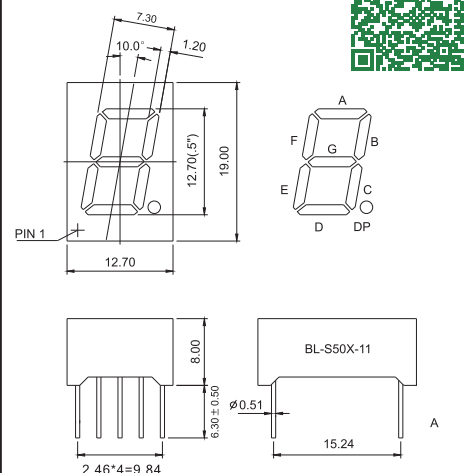
BL-S43A-11



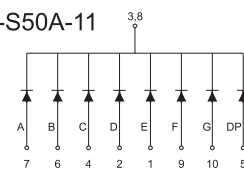
BL-S43B-11



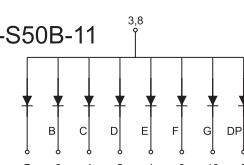
BL-S50X-11 Series



BL-S50A-11



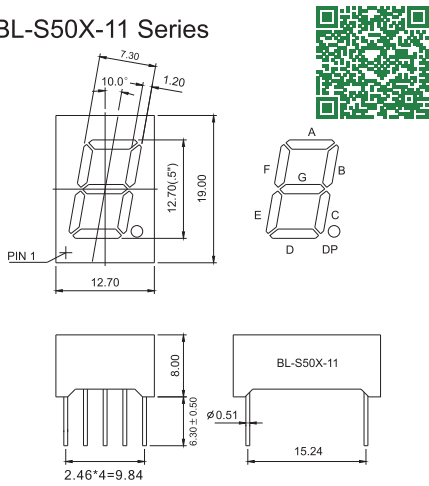
BL-S50B-11



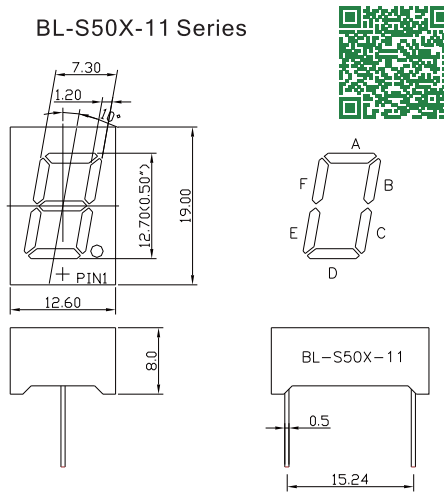
Single Digit Seven Segment LED display

Dimension and Circuit

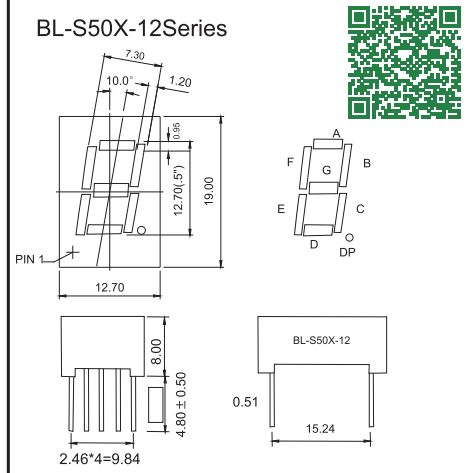
BL-S50X-11 Series



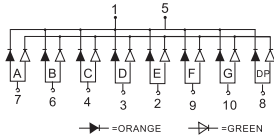
BL-S50X-11 Series



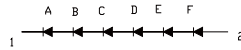
BL-S50X-12Series



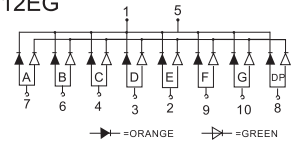
BL-S50A-11EG



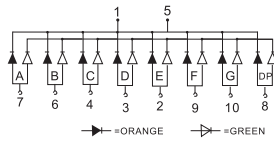
BL-S50E-11



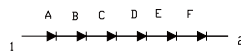
BL-S50A-12EG



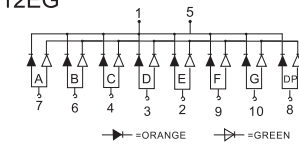
BL-S50B-11EG



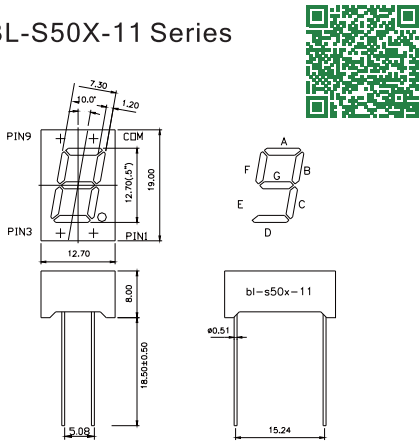
BL-S50F-11



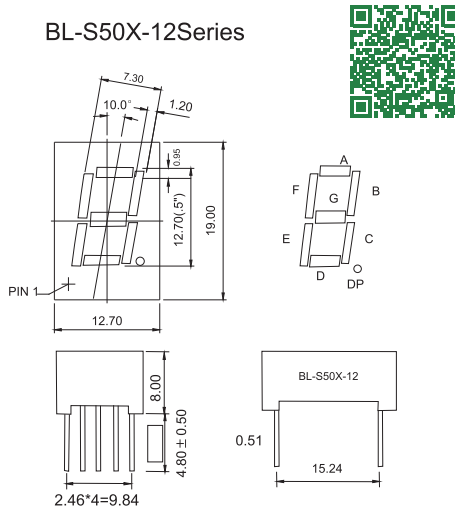
BL-S50B-12EG



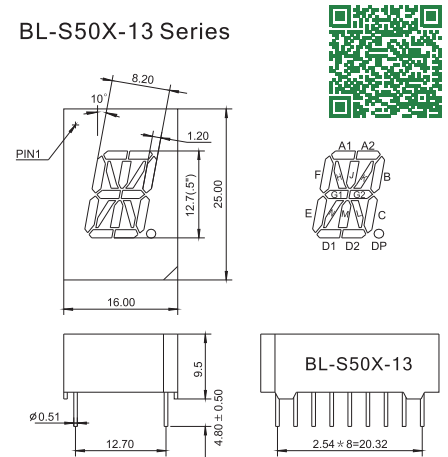
BL-S50X-11 Series



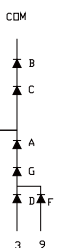
BL-S50X-12Series



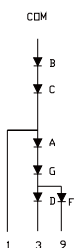
BL-S50X-13 Series



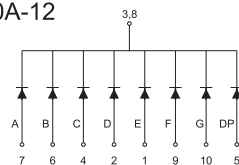
BL-S50C-11



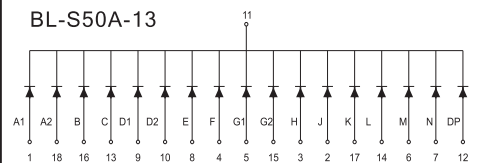
BL-S50D-11



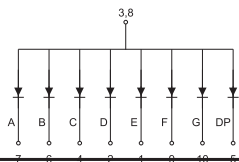
BL-S50A-12



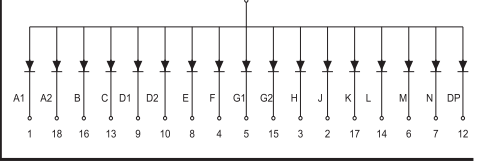
BL-S50A-13



BL-S50B-12



BL-S50B-13



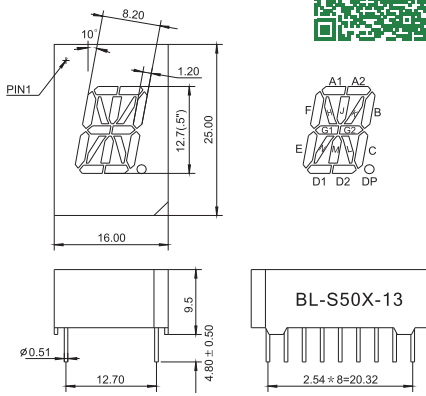
All dimensions are in millimeters (inches)
Tolerance is $\pm 0.25(0.01)$ unless otherwise note

For more, please visit <http://www.betlux.com>

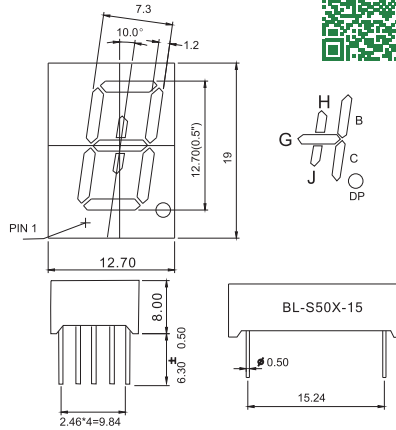
Single Digit Seven Segment LED display

Dimension and Circuit

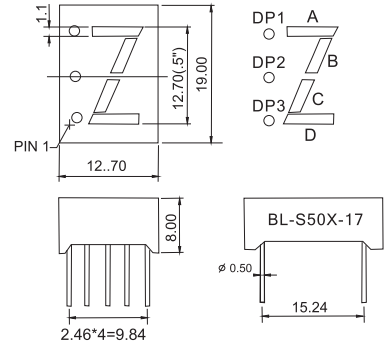
BL-S50X-13 Series



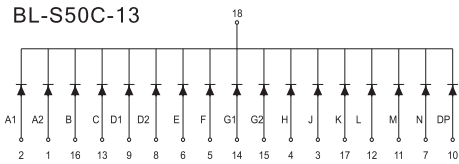
BL-S50X-15 Series



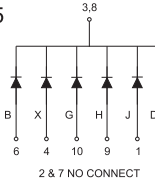
BL-S50X-17 Series



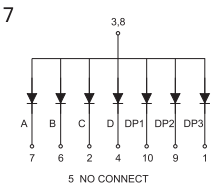
BL-S50C-13



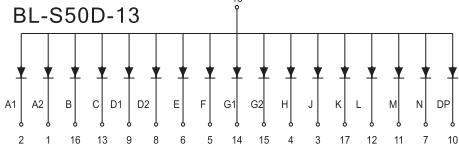
BL-S50A-15



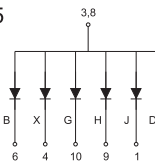
BL-S50A-17



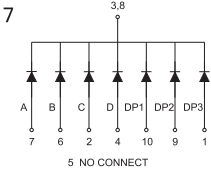
BL-S50D-13



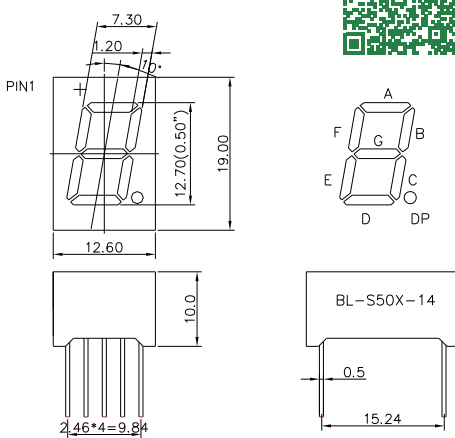
BL-S50B-15



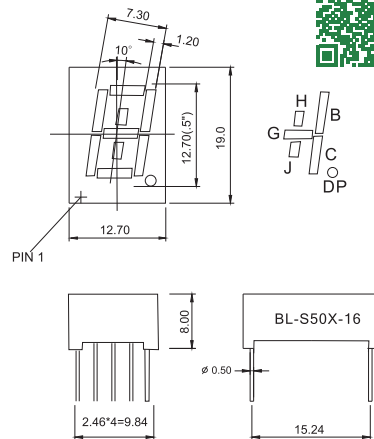
BL-S50B-17



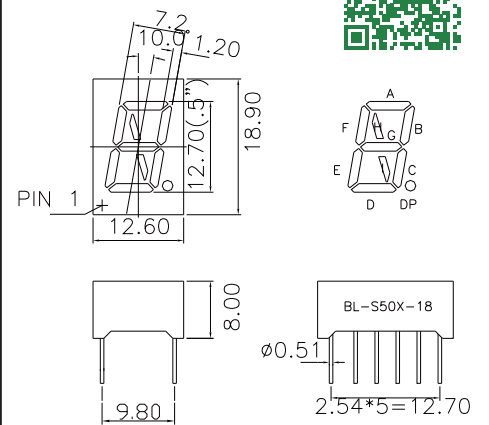
BL-S50X-14 Series



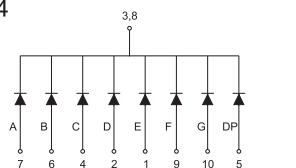
BL-S50X-16 Series



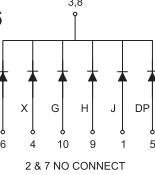
BL-S50X-18 Series



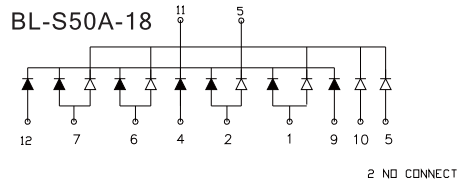
BL-S50A-14



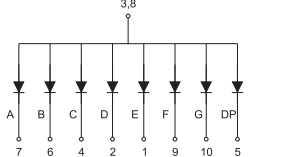
BL-S50A-16



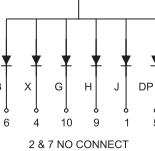
BL-S50A-18



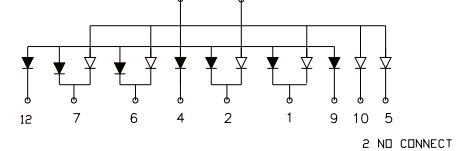
BL-S50B-14



BL-S50B-16



BL-S50B-18



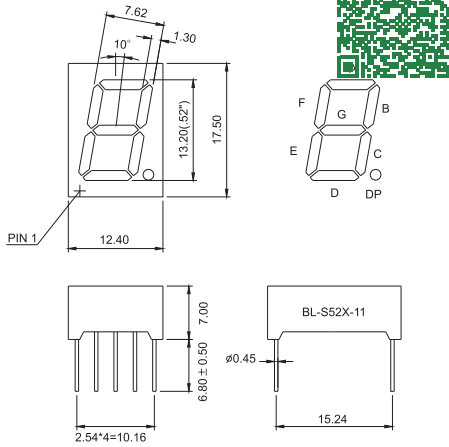
All dimensions are in millimeters (inches)
Tolerance is $\pm 0.25(0.01)$ unless otherwise note

For more, please visit <http://www.betlux.com>

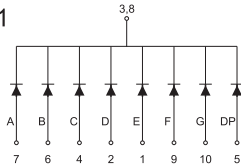
Single Digit Seven Segment LED display

Dimension and Circuit

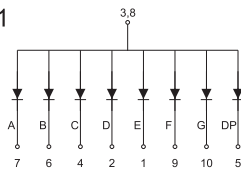
BL-S52X-11 Series



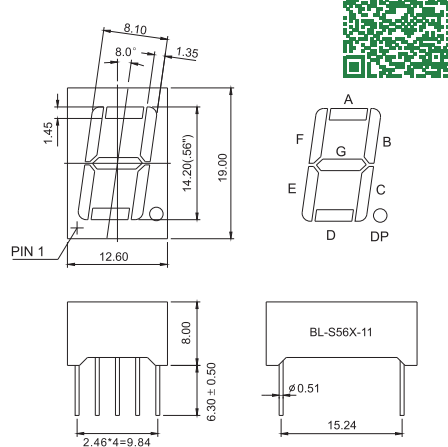
BL-S52A-11



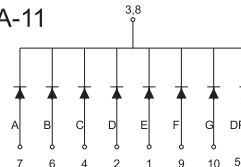
BL-S52B-11



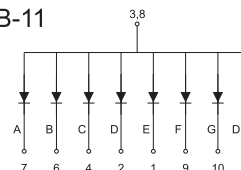
BL-S56X-11 Series



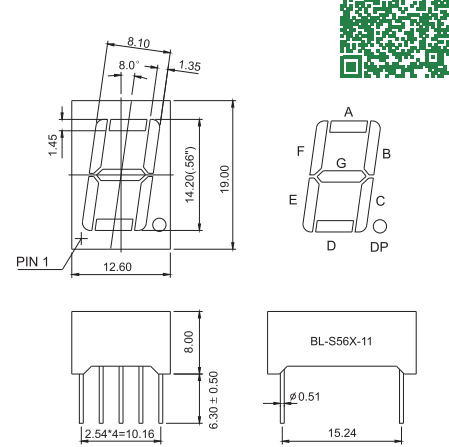
BL-S56A-11



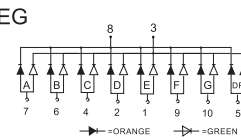
BL-S56B-11



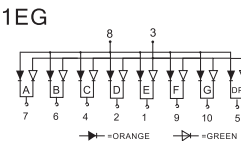
BL-S56X-11 Series



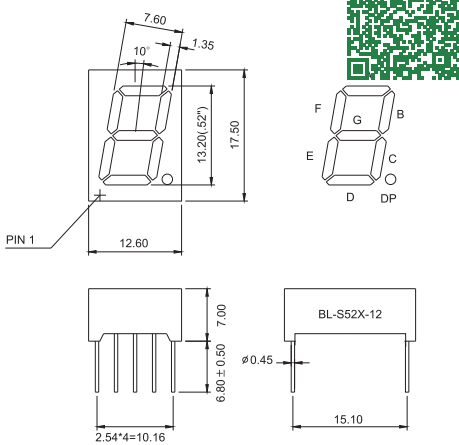
BL-S56C-11EG



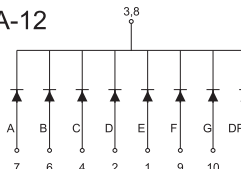
BL-S56D-11EG



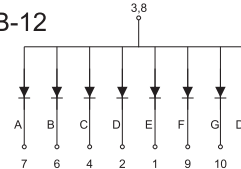
BL-S52X-12 Series



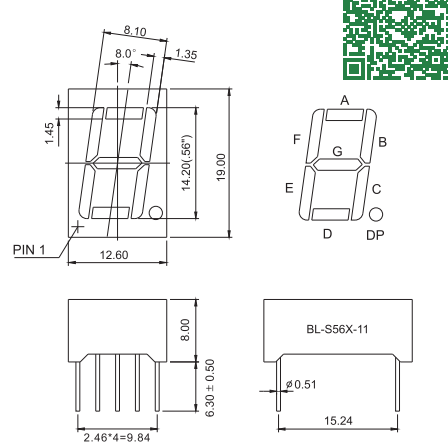
BL-S52A-12



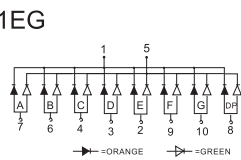
BL-S52B-12



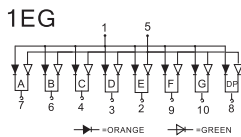
BL-S56X-11 Series



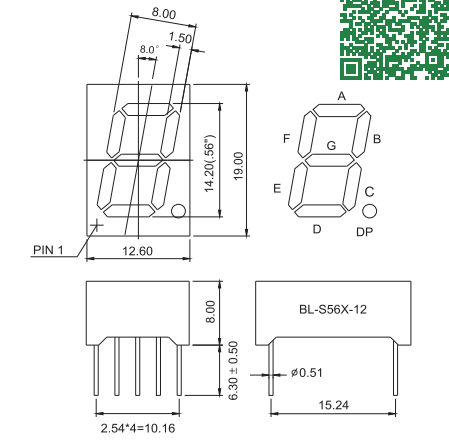
BL-S56A-11EG



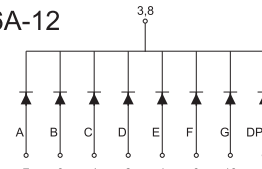
BL-S56B-11EG



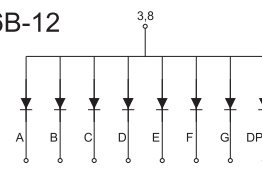
BL-S56X-12 Series



BL-S56A-12



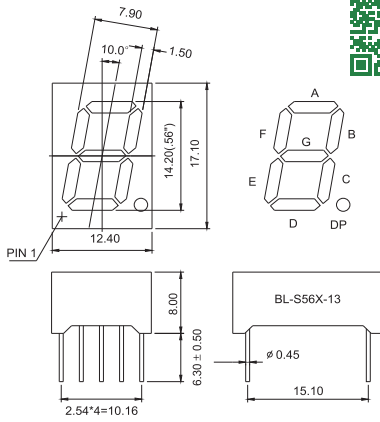
BL-S56B-12



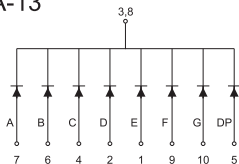
Single Digit Seven Segment LED display

Dimension and Circuit

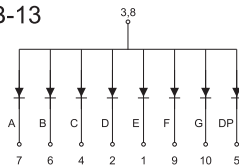
BL-S56X-13 Series



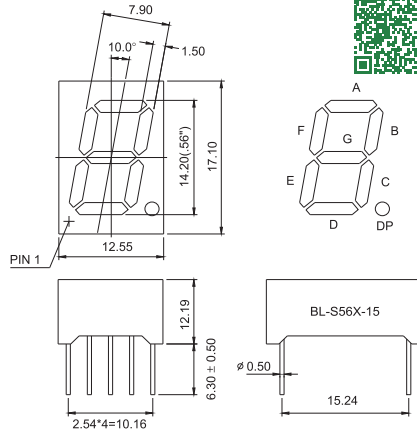
BL-S56A-13



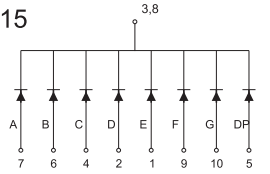
BL-S56B-13



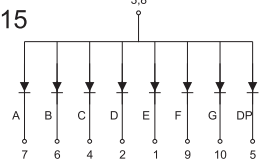
BL-S56X-15 Series



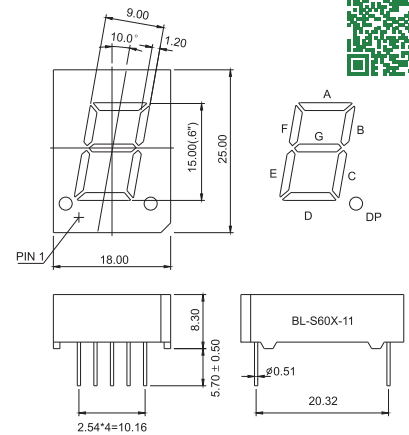
BL-S56A-15



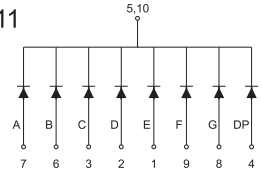
BL-S56B-15



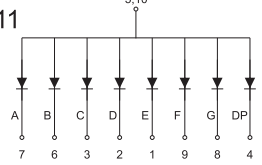
BL-S60X-11 Series



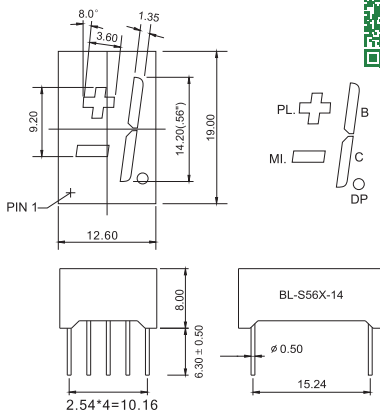
BL-S60A-11



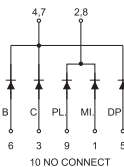
BL-S60B-11



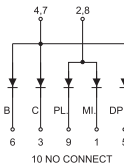
BL-S56X-14 Series



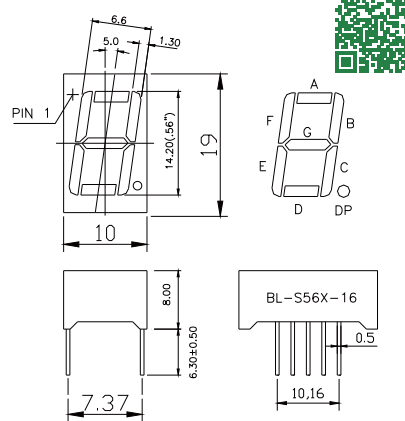
BL-S56A-14



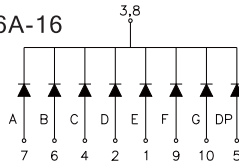
BL-S56B-14



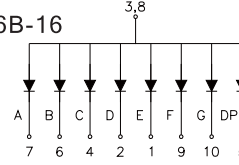
BL-S56X-16 Series



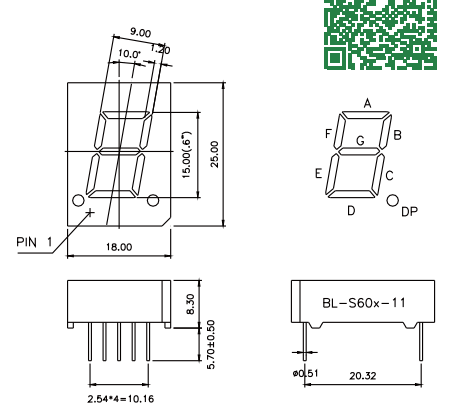
BL-S56A-16



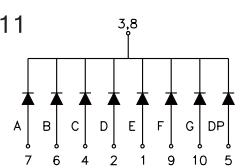
BL-S56B-16



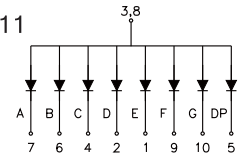
BL-S60X-11 Series



BL-S60C-11



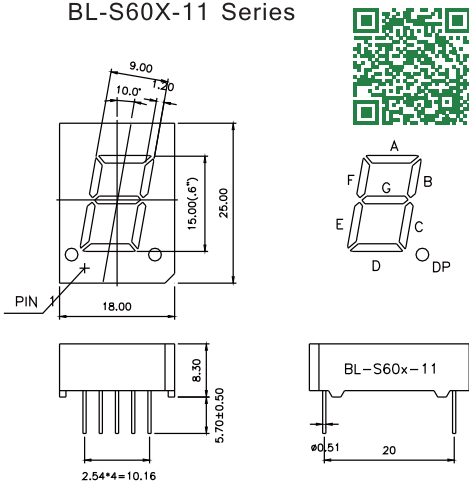
BL-S60D-11



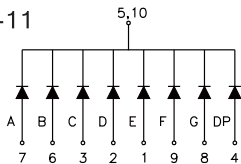
Single Digit Seven Segment LED display

Dimension and Circuit

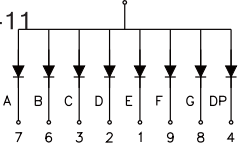
BL-S60X-11 Series



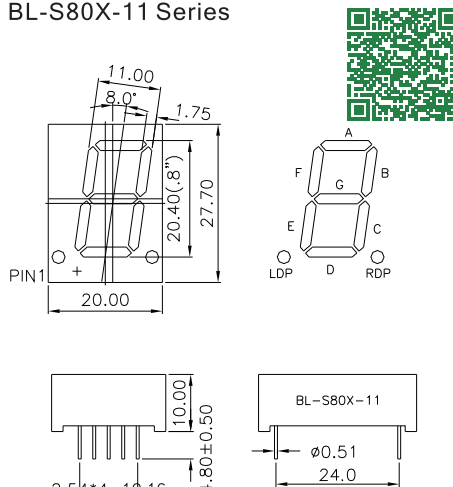
BL-S60E-11



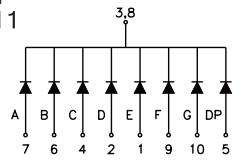
BL-S60F-11



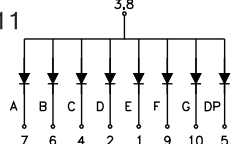
BL-S80X-11 Series



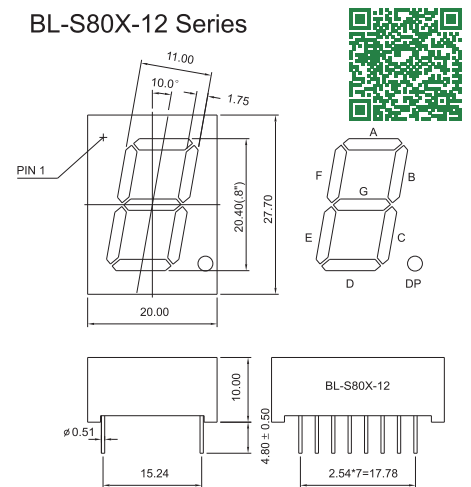
BL-S80C-11



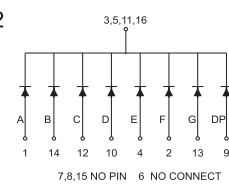
BL-S80D-11



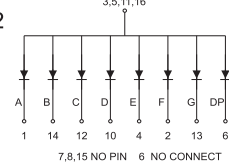
BL-S80X-12 Series



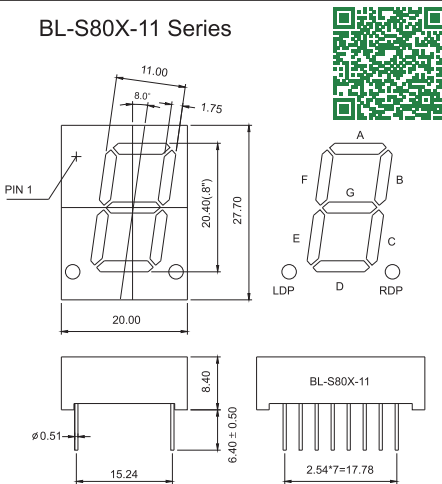
BL-S80A-12



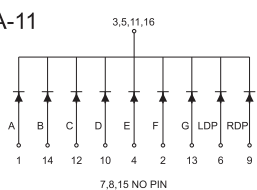
BL-S80B-12



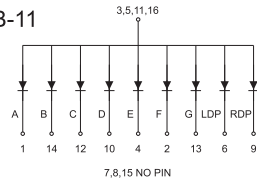
BL-S80X-11 Series



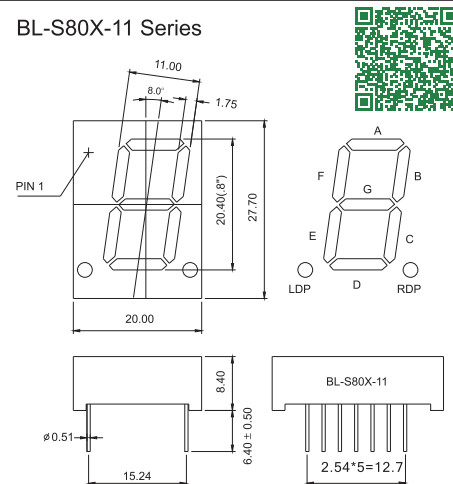
BL-S80A-11



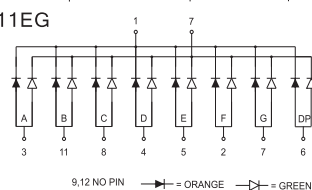
BL-S80B-11



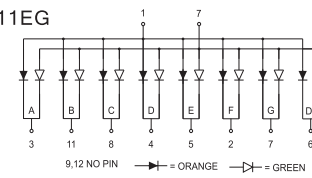
BL-S80X-11 Series



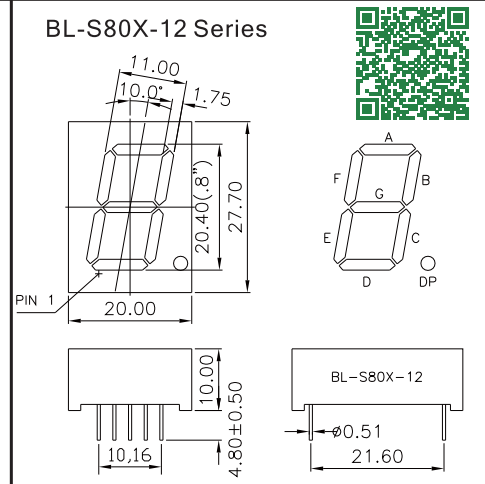
BL-S80A-11EG



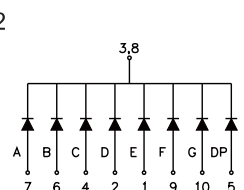
BL-S80B-11EG



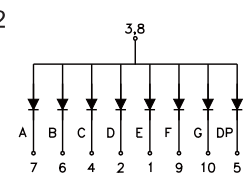
BL-S80X-12 Series



BL-S80C-12



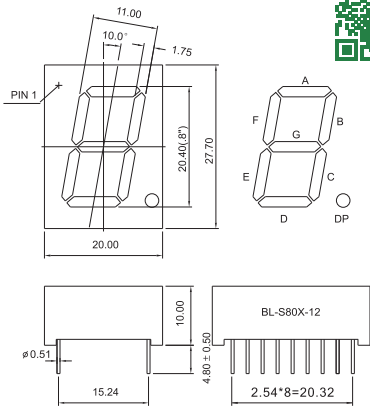
BL-S80D-12



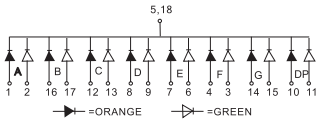
Single Digit Seven Segment LED display

Dimension and Circuit

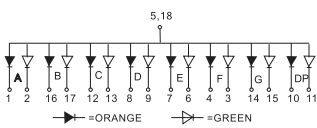
BL-S80X-12 Series



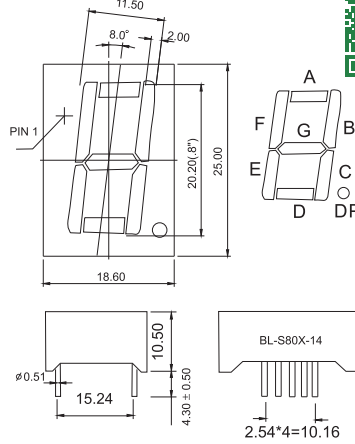
BL-S80A-12EG



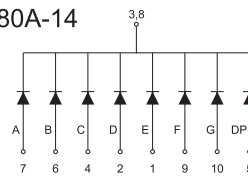
BL-S80B-12EG



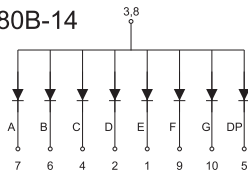
BL-S80X-14 Series



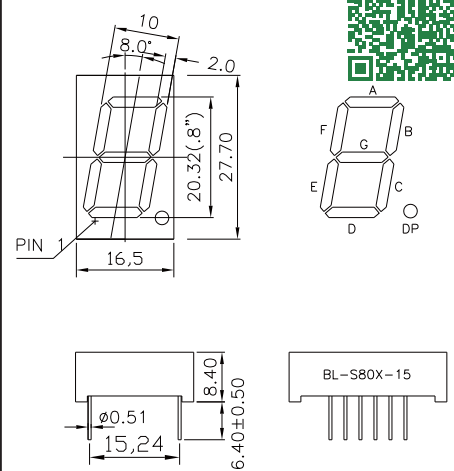
BL-S80A-14



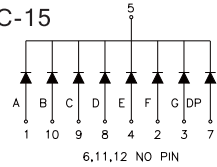
BL-S80B-14



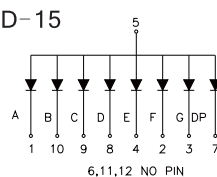
BL-S80X-15 Series



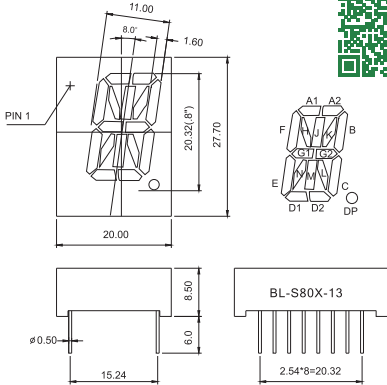
BL-S80C-15



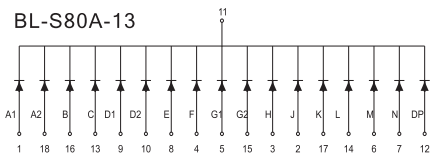
BL-S80D-15



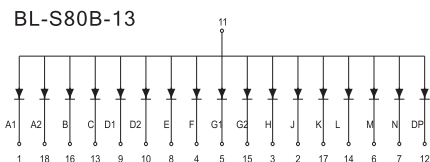
BL-S80X-13 Series



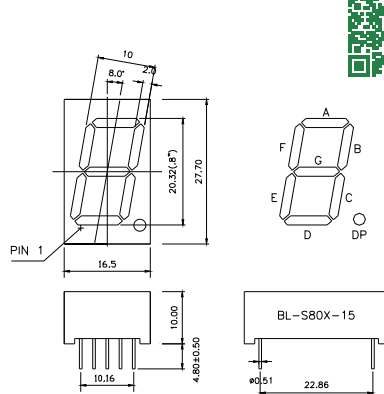
BL-S80A-13



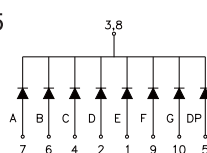
BL-S80B-13



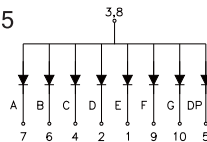
BL-S80X-15 Series



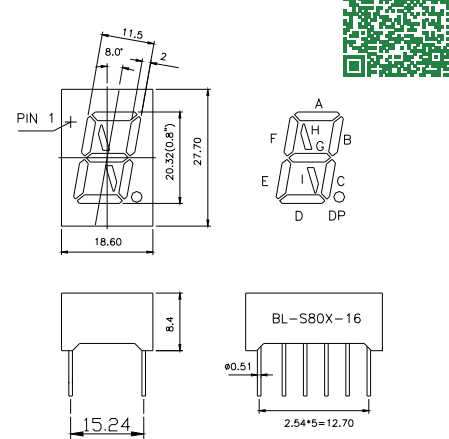
BL-S80A-15



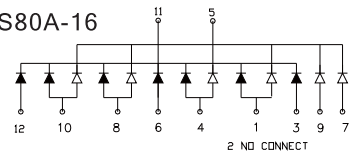
BL-S80B-15



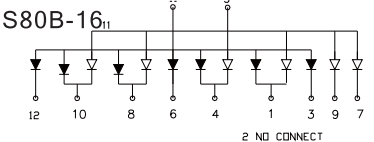
BL-S80X-16 Series



BL-S80A-16



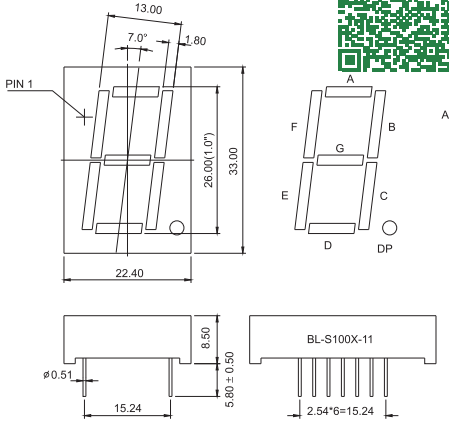
BL-S80B-16



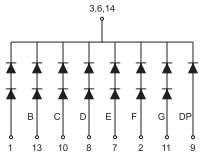
Single Digit Seven Segment LED display

Dimension and Circuit

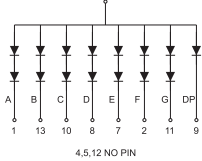
BL-S100X-11 Series



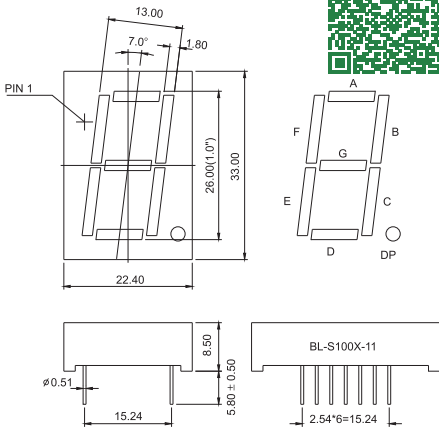
BL-S100A-11



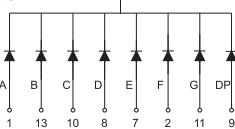
BL-S100B-11



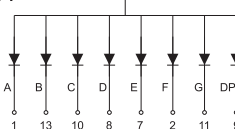
BL-S100X-11 Series



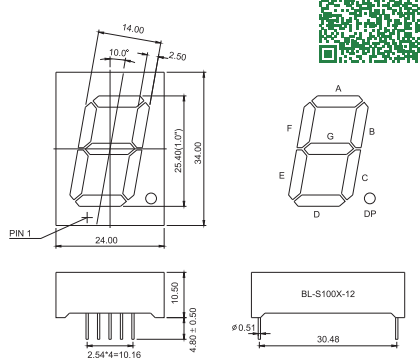
BL-S100C-11



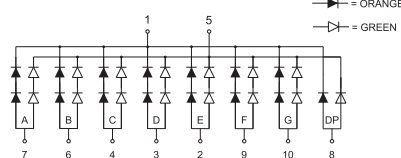
BL-S100D-11



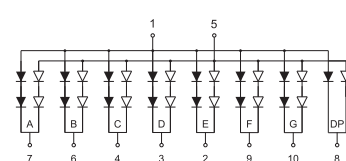
BL-S100X-12 Series



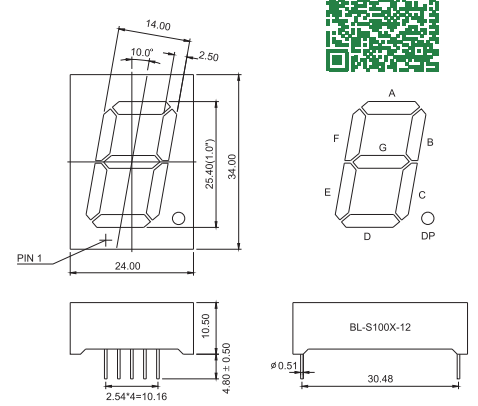
BL-S100A-12EG



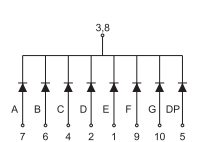
BL-S100B-12EG



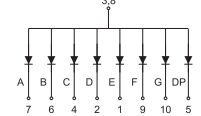
BL-S100X-12 Series



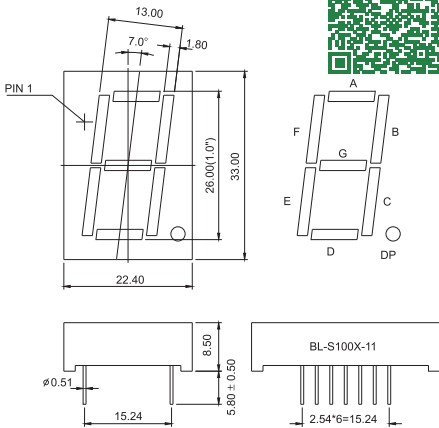
BL-S100C-12



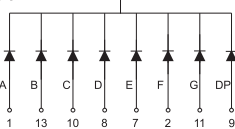
BL-S100D-12



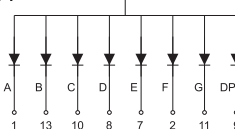
BL-S100X-11 Series



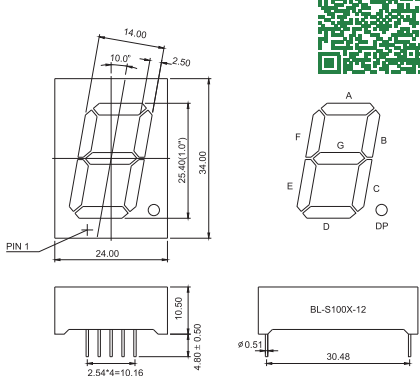
BL-S100C-11



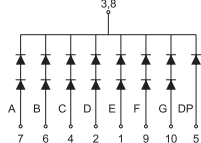
BL-S100D-11



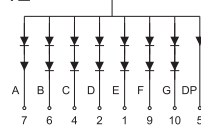
BL-S100X-12 Series



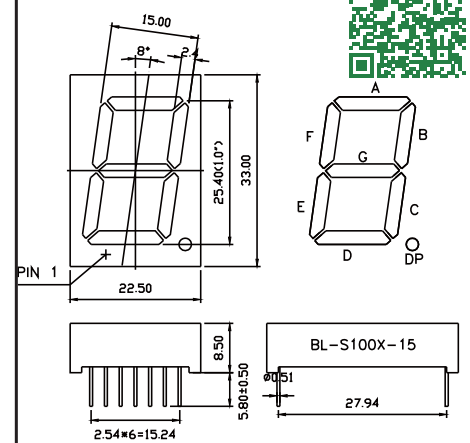
BL-S100A-12



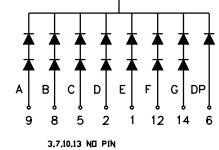
BL-S100B-12



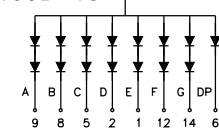
BL-S100X-15 Series



BL-S100C-15



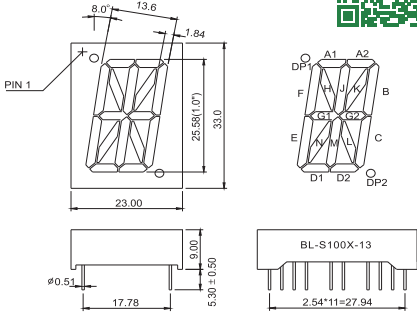
BL-S100D-15



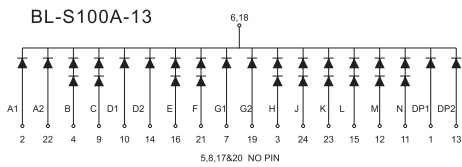
Single Digit Seven Segment LED display

Dimension and Circuit

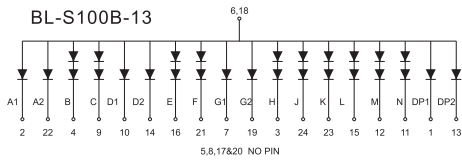
BL-S100X-13 Series



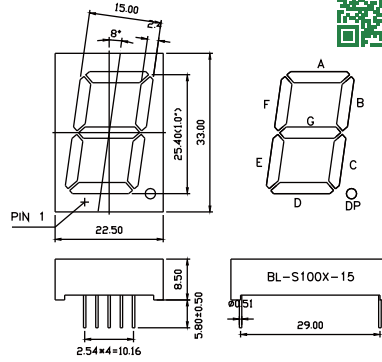
BL-S100A-13



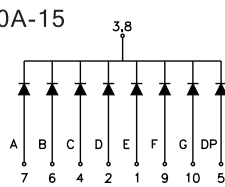
BL-S100B-13



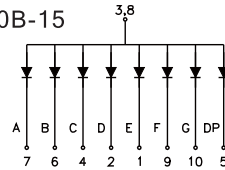
BL-S100X-15 Series



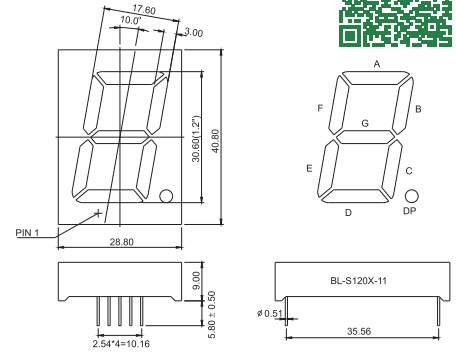
BL-S100A-15



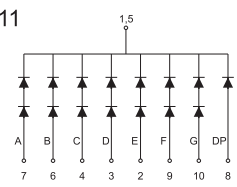
BL-S100B-15



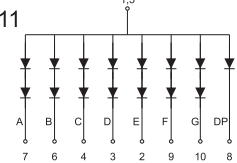
BL-S120X-11 Series



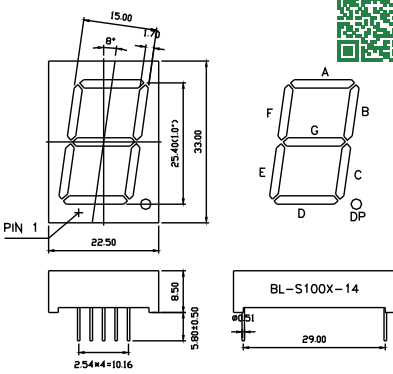
BL-S120A-11



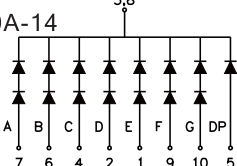
BL-S120B-11



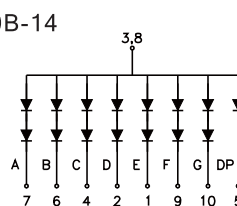
BL-S100X-14 Series



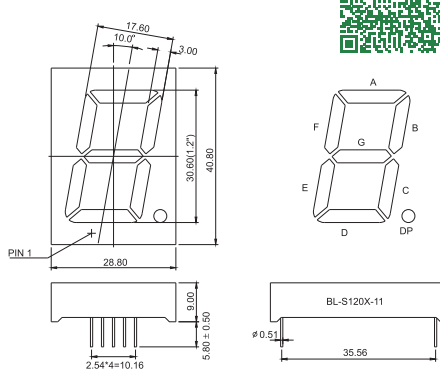
BL-S100A-14



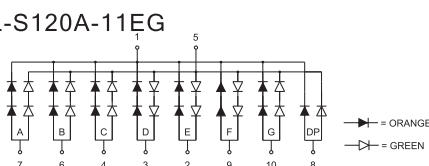
BL-S100B-14



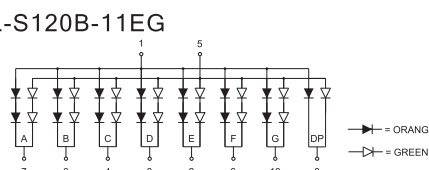
BL-S120X-11 Series



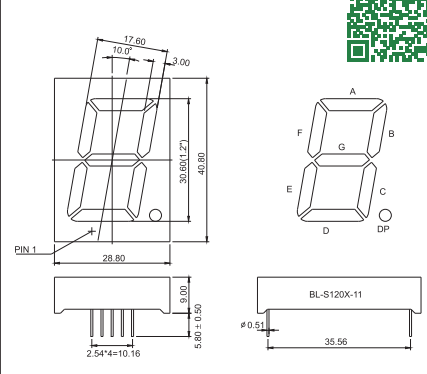
BL-S120A-11EG



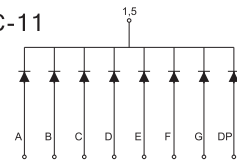
BL-S120B-11EG



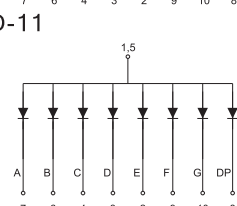
BL-S120X-11 Series



BL-S120C-11



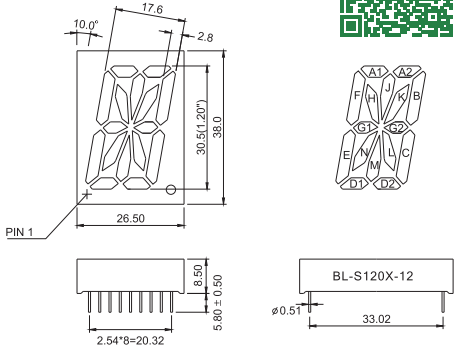
BL-S120D-11



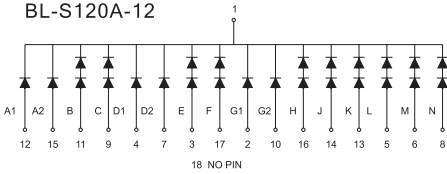
Single Digit Seven Segment LED display

Dimension and Circuit

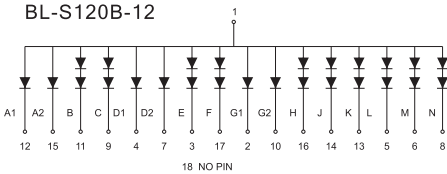
BL-S120X-12 Series



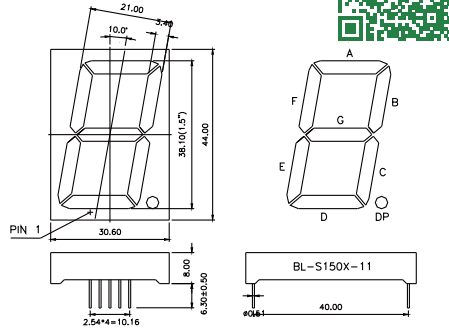
BL-S120A-12



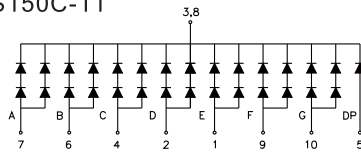
BL-S120B-12



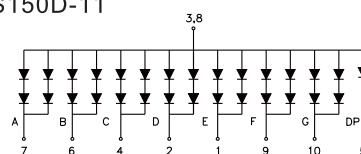
BL-S150X-11 Series



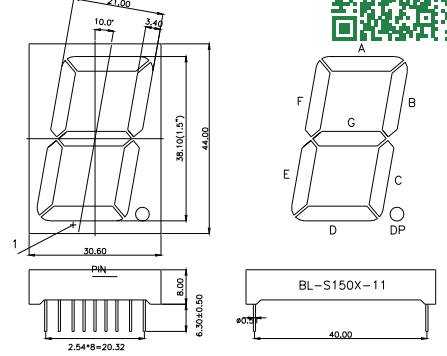
BL-S150C-11



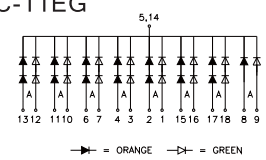
BL-S150D-11



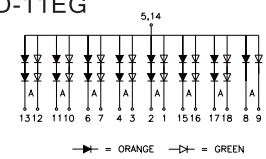
BL-S150X-11EG Series



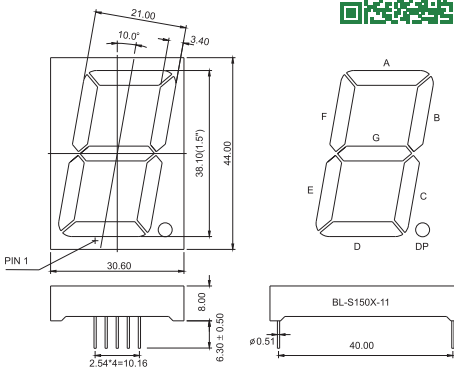
BL-S150C-11EG



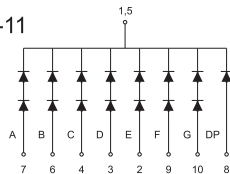
BL-S150D-11EG



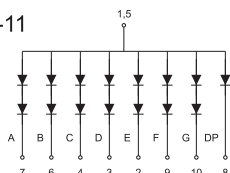
BL-S150X-11 Series



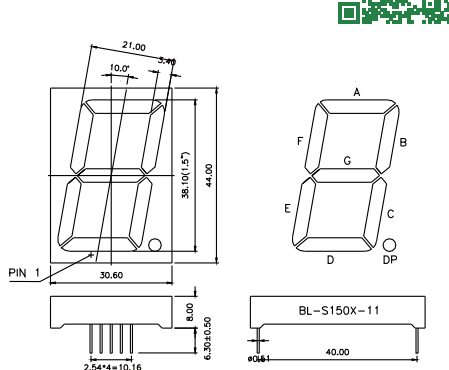
BL-S150A-11



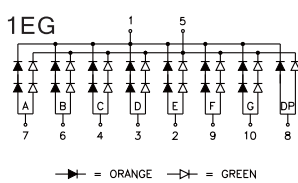
BL-S150B-11



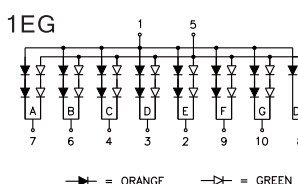
BL-S150X-11EG Series



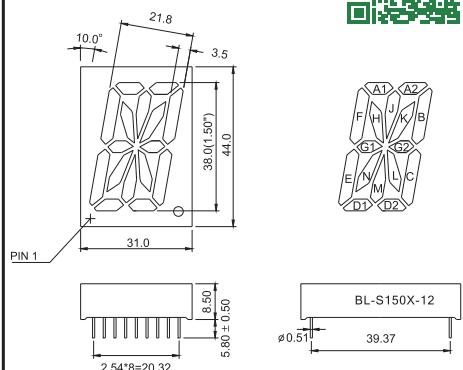
BL-S150A-11EG



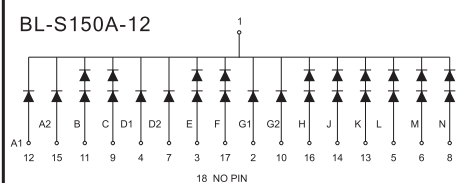
BL-S150B-11EG



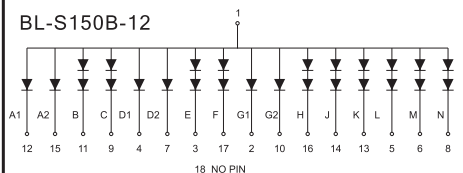
BL-S150X-12 Series



BL-S150A-12



BL-S150B-12



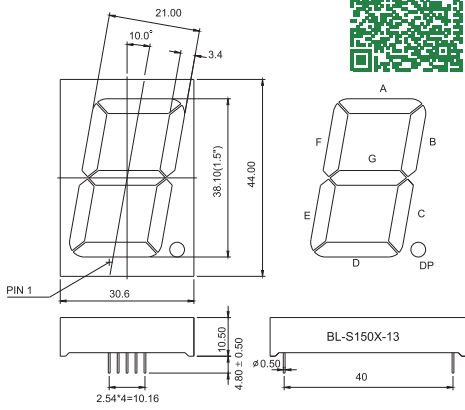
All dimensions are in millimeters (inches)
Tolerance is $\pm 0.25(0.01)$ unless otherwise note

For more, please visit <http://www.betlux.com>

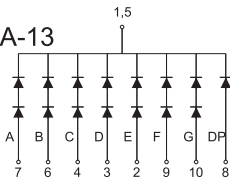
Single Digit Seven Segment LED display

Dimension and Circuit

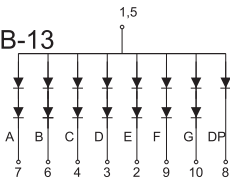
BL-S150X-13 Series



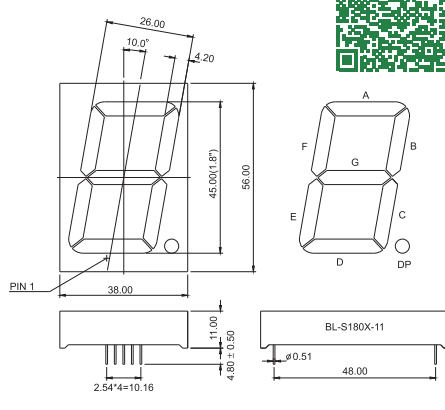
BL-S150A-13



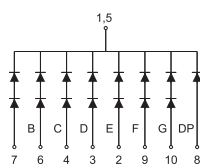
BL-S150B-13



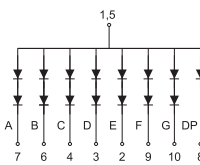
BL-S180X-11 series



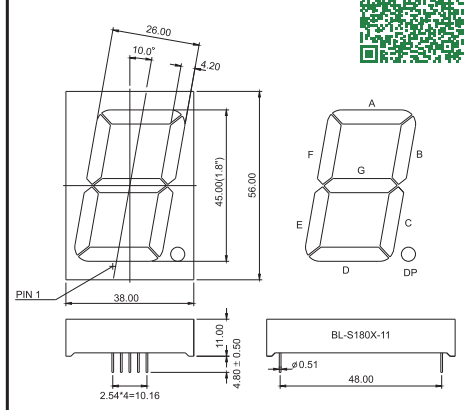
BL-S180C-11



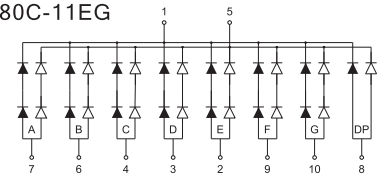
BL-S180D-11



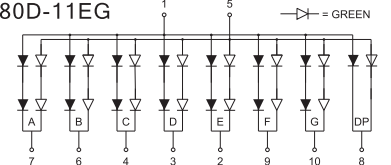
BL-S180X-11 series



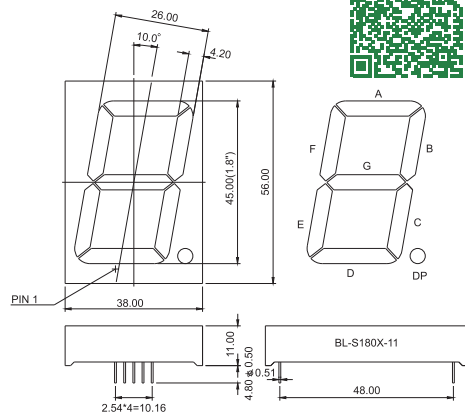
BL-S180C-11EG



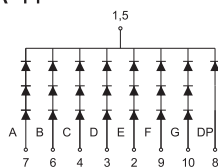
BL-S180D-11EG



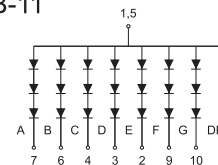
BL-S180X-11 series



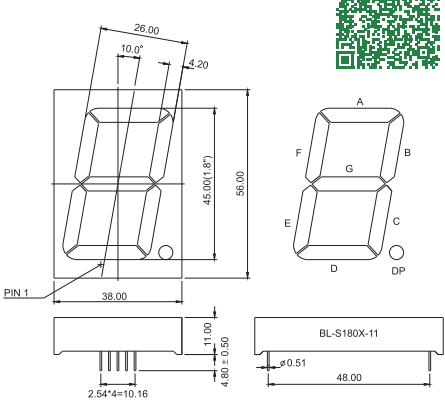
BL-S180A-11



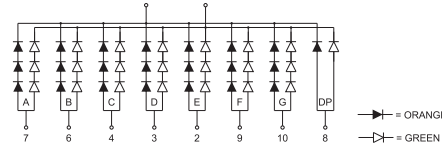
BL-S180B-11



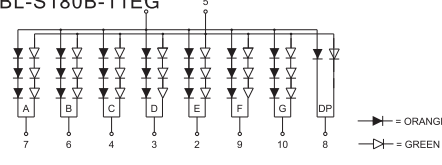
BL-S180X-11 series



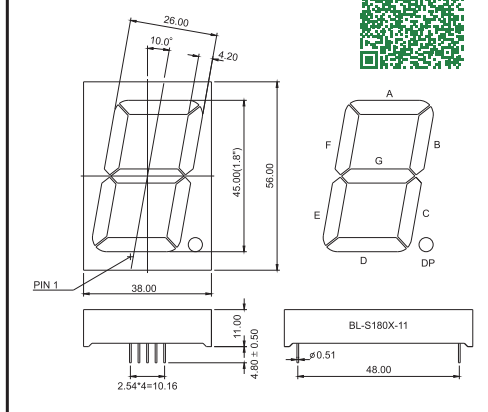
BL-S180A-11EG



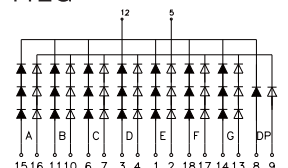
BL-S180B-11EG



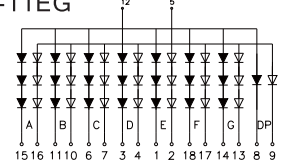
BL-S180X-11 series



BL-S180E-11EG



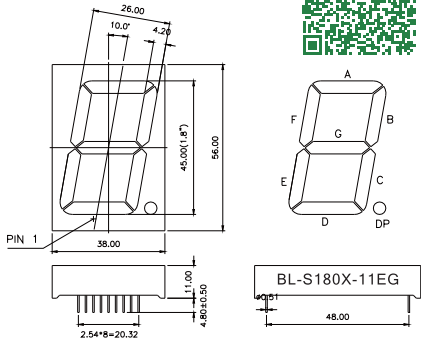
BL-S180F-11EG



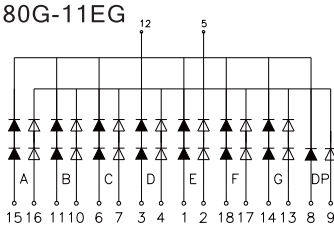
Single Digit Seven Segment LED display

Dimension and Circuit

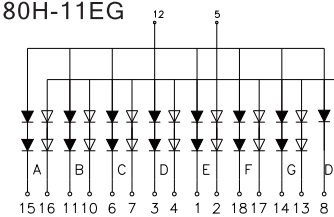
BL-S180X-11 Series



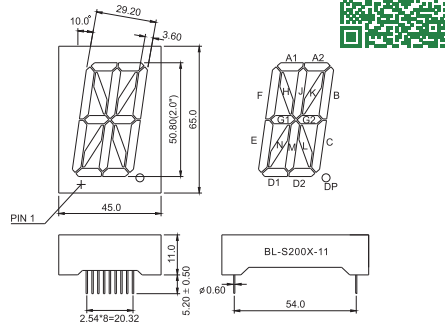
BL-S180G-11EG



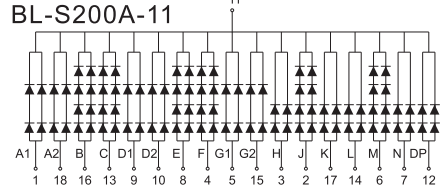
BL-S180H-11EG



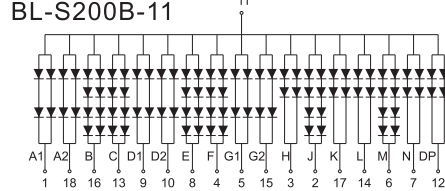
BL-S200X-11 Series



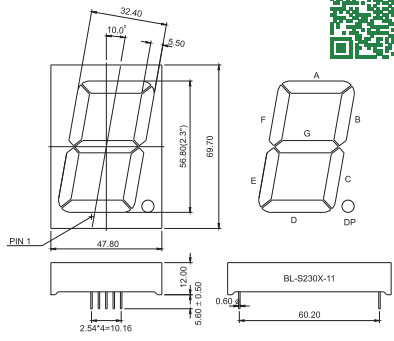
BL-S200A-11



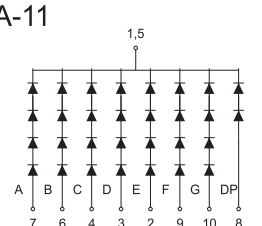
BL-S200B-11



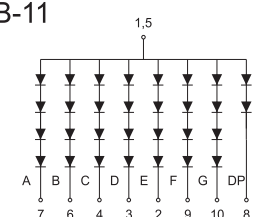
BL-S230X-11 Series



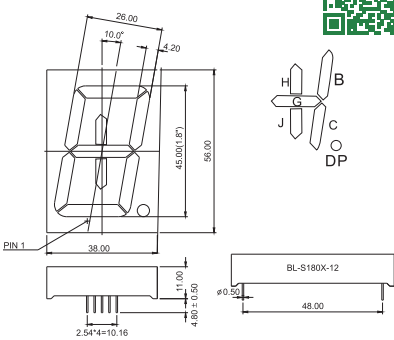
BL-S230A-11



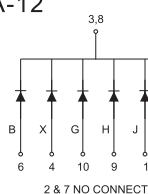
BL-S230B-11



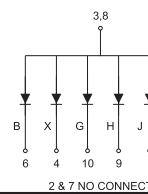
BL-S180X-12 Series



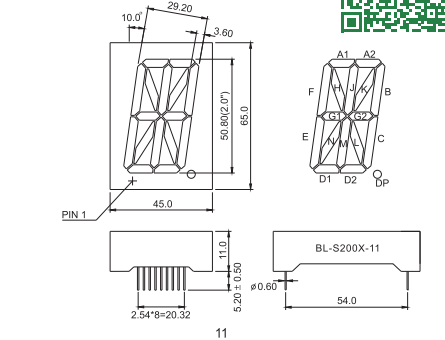
BL-S180A-12



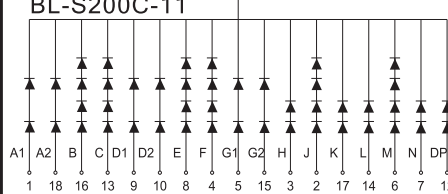
BL-S180B-12



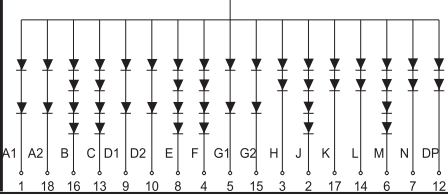
BL-S200X-11 Series



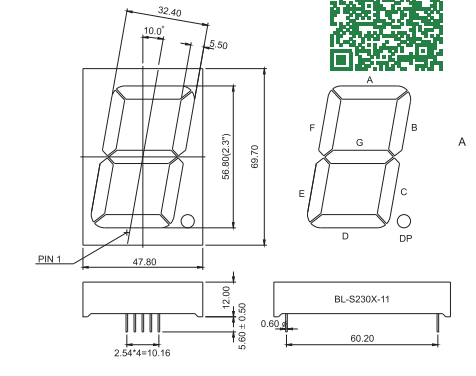
BL-S200C-11



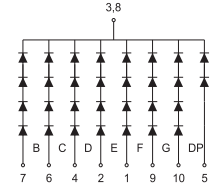
BL-S200D-11



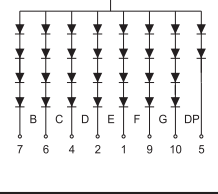
BL-S230X-11 Series



BL-S230C-11



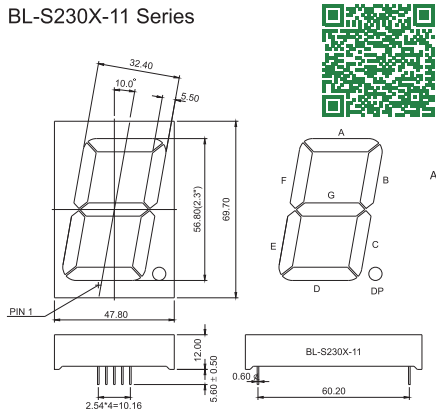
BL-S230D-11



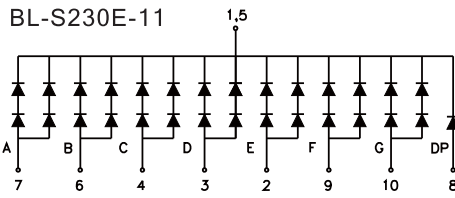
Single Digit Seven Segment LED display

Dimension and Circuit

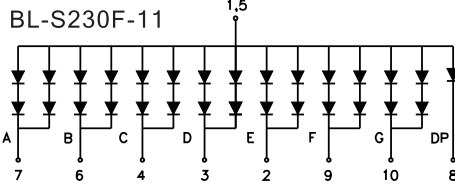
BL-S230X-11 Series



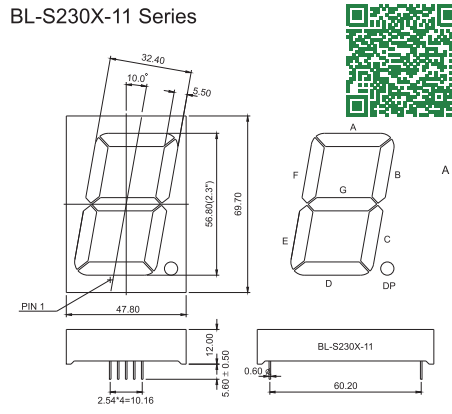
BL-S230E-11



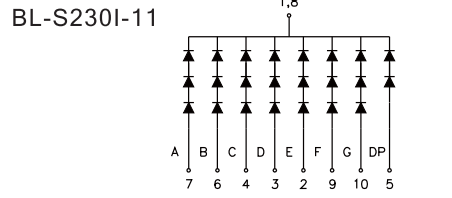
BL-S230F-11



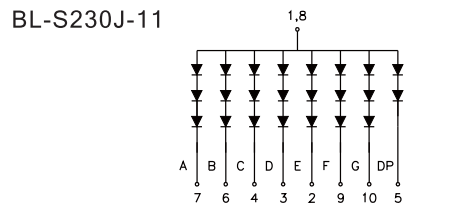
BL-S230X-11 Series



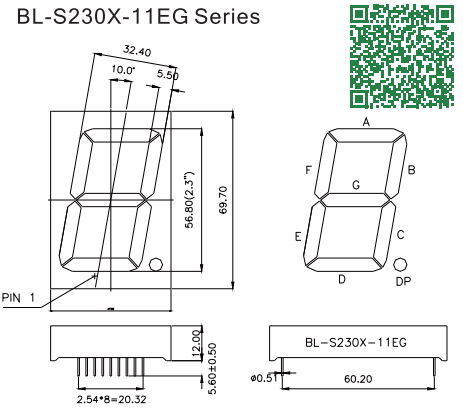
BL-S230I-11



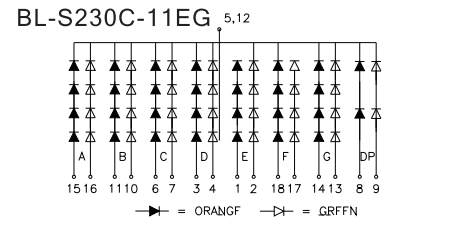
BL-S230J-11



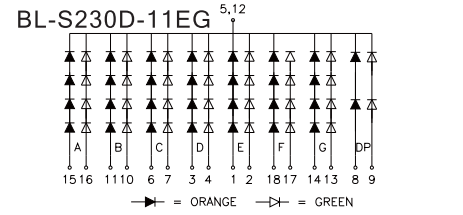
BL-S230X-11EG Series



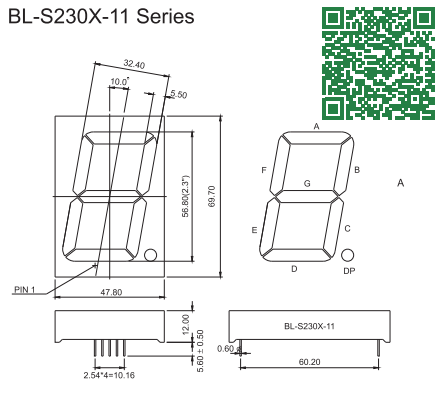
BL-S230C-11EG



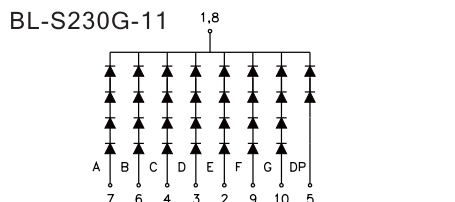
BL-S230D-11EG



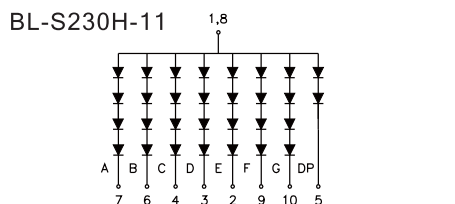
BL-S230X-11 Series



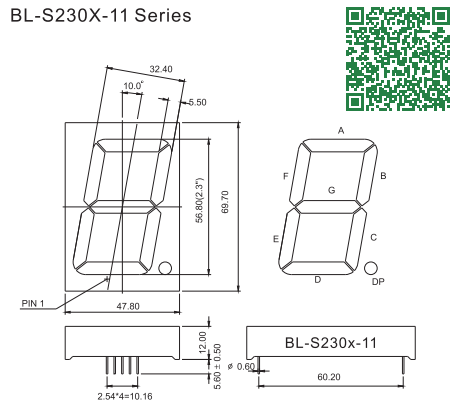
BL-S230G-11



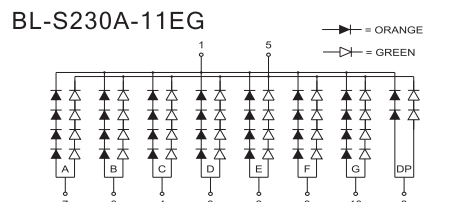
BL-S230H-11



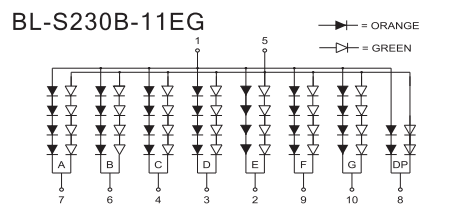
BL-S230X-11 Series



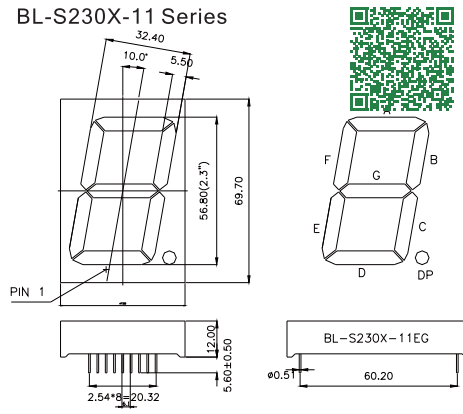
BL-S230A-11EG



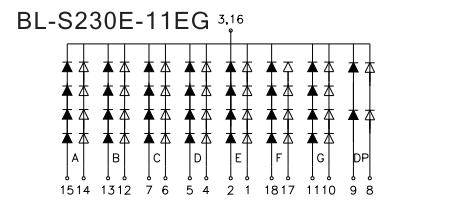
BL-S230B-11EG



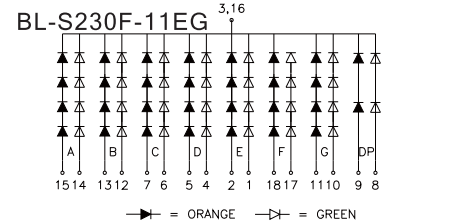
BL-S230X-11 Series



BL-S230E-11EG



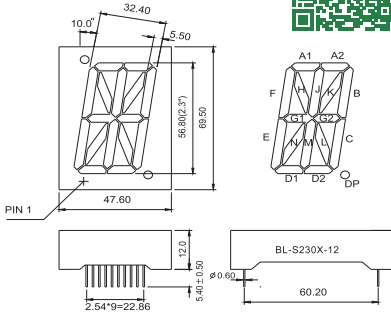
BL-S230F-11EG



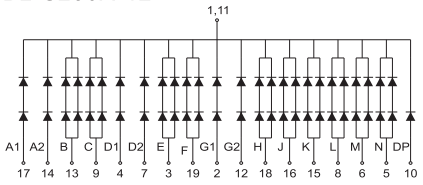
Single Digit Seven Segment LED display

Dimension and Circuit

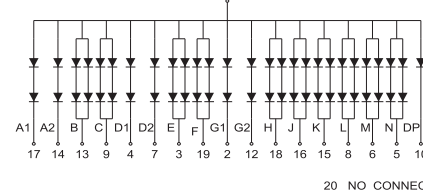
BL-S230X-12 Series



BL-S230A-12



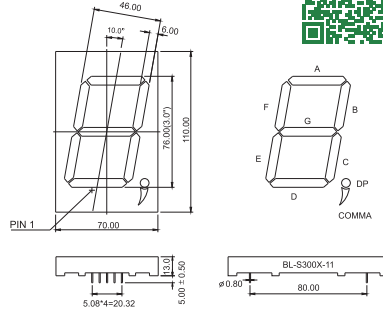
BL-S230B-12



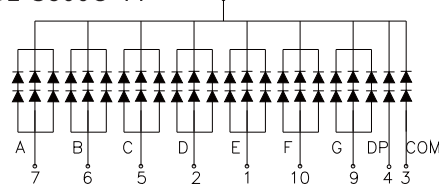
20 NO CONNECT

20 NO CONNECT

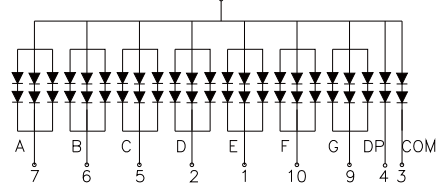
BL-S300X-11 Series



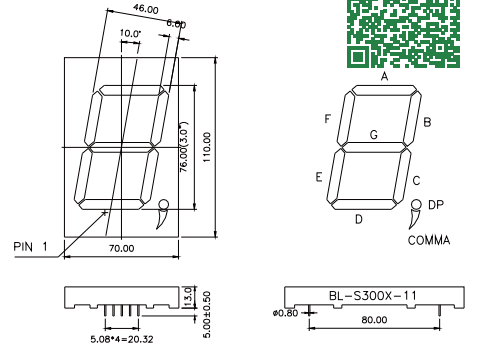
BL-S300C-11



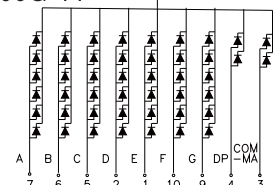
BL-S300D-11



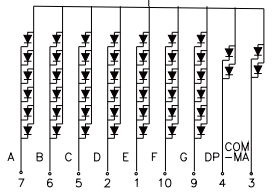
BL-S300X-11 Series



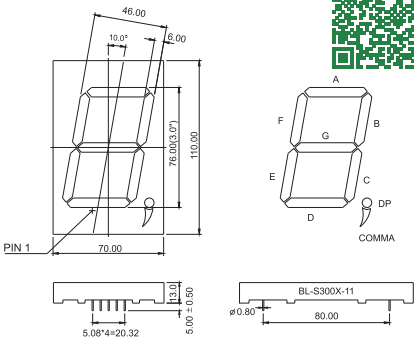
BL-S300G-11



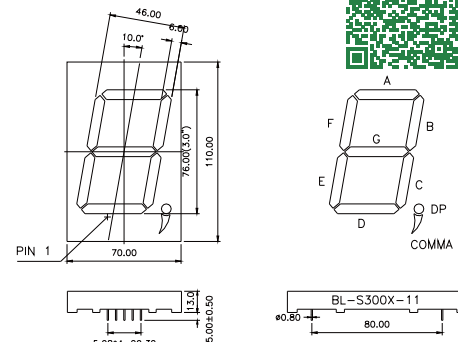
BL-S300H-11



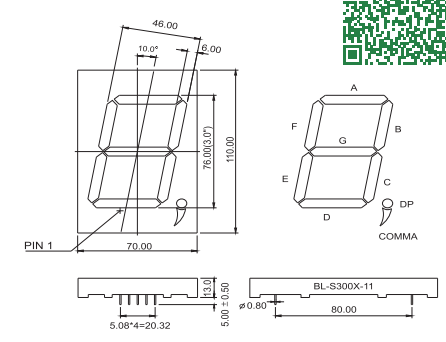
BL-S300X-11 Series



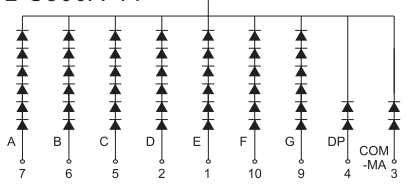
BL-S300X-11 Series



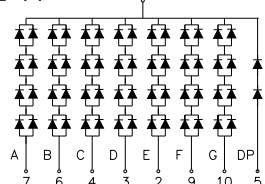
BL-S300X-11 Series



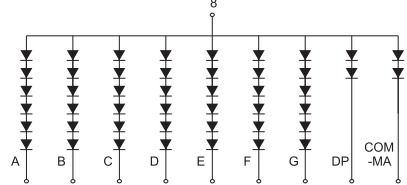
BL-S300A-11



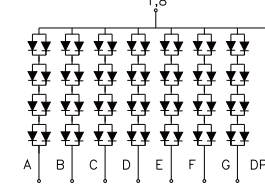
BL-S300E-11



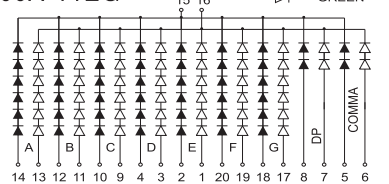
BL-S300B-11



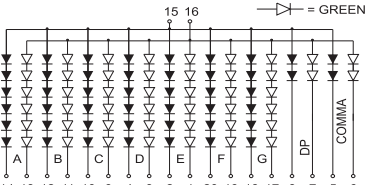
BL-S300F-11



BL-S300A-11EG



BL-S300B-11EG



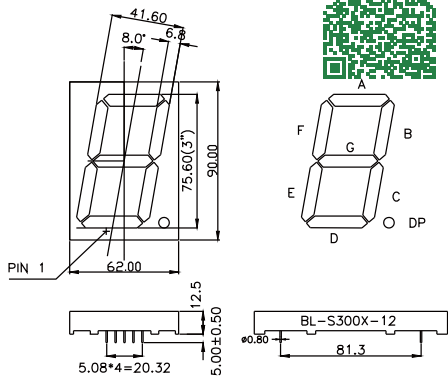
All dimensions are in millimeters (inches)
Tolerance is $\pm 0.25(0.01)$ unless otherwise note

For more, please visit <http://www.betlux.com>

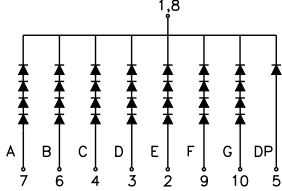
Single Digit Seven Segment LED display

Dimension and Circuit

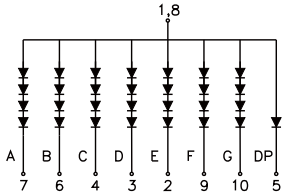
BL-S300X-12 Series



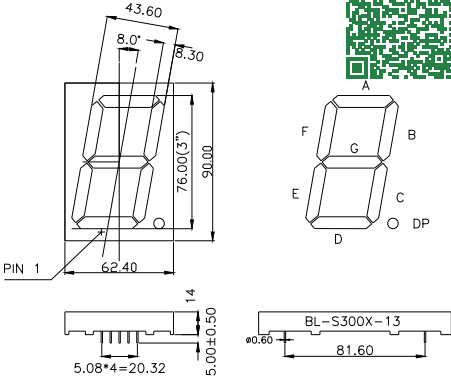
BL-S300A-12



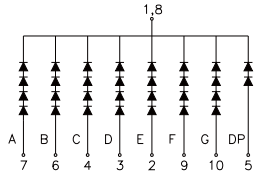
BL-S300B-12



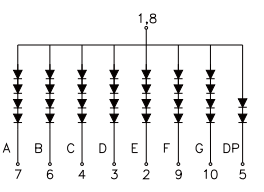
BL-S300X-13 Series



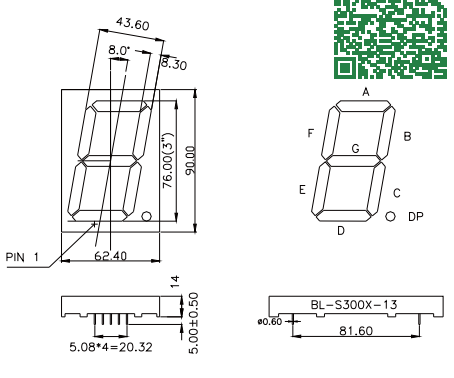
BL-S300A-13



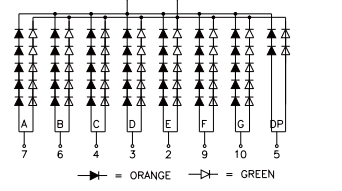
BL-S300B-13



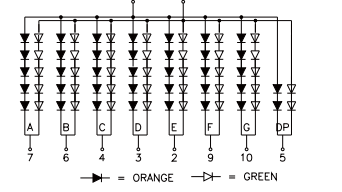
BL-S300X-13 Series



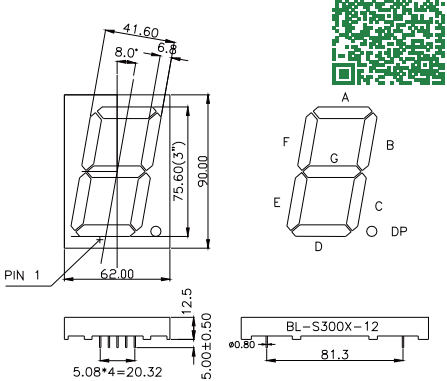
BL-S300A-13EG



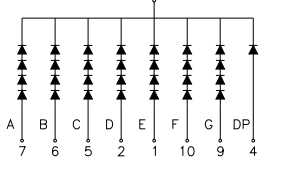
BL-S300B-13EG



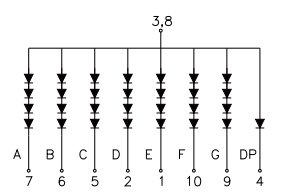
BL-S300X-12 Series



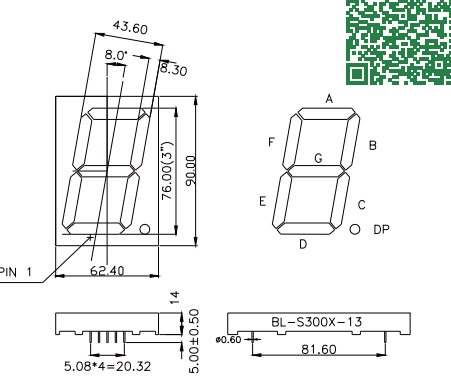
BL-S300C-12



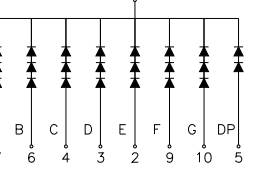
BL-S300D-12



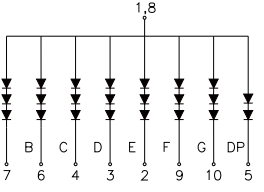
BL-S300X-13 Series



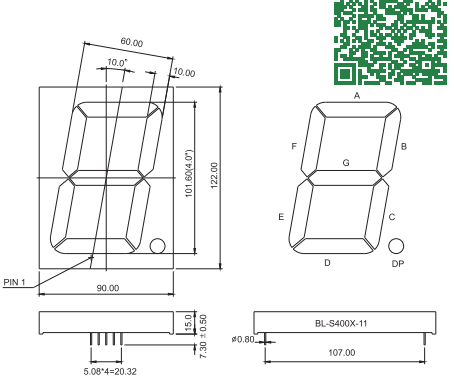
BL-S300C-13



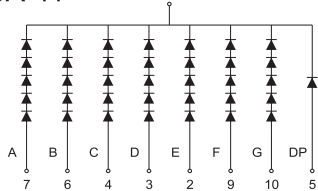
BL-S300D-13



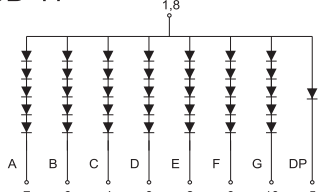
BL-S400X-11 Series



BL-S400A-11



BL-S400B-11



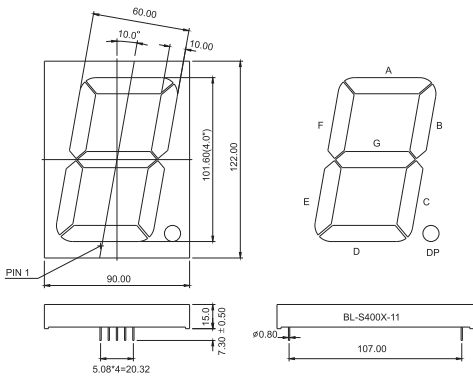
All dimensions are in millimeters (inches)
Tolerance is $\pm 0.25(0.01)$ unless otherwise note

For more, please visit <http://www.betlux.com>

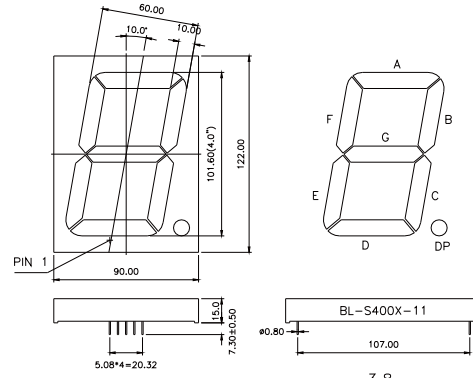
Single Digit Seven Segment LED display

Dimension and Circuit

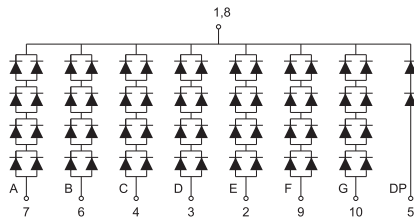
BL-S400X-11 Series



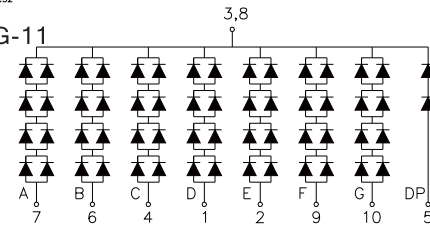
BL-S400X-11 Series



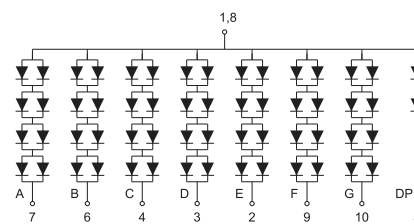
BL-S400C-11



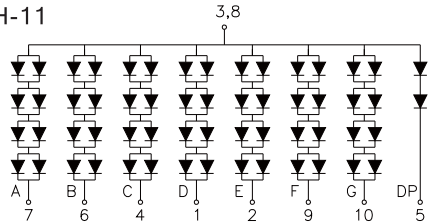
BL-S400G-11



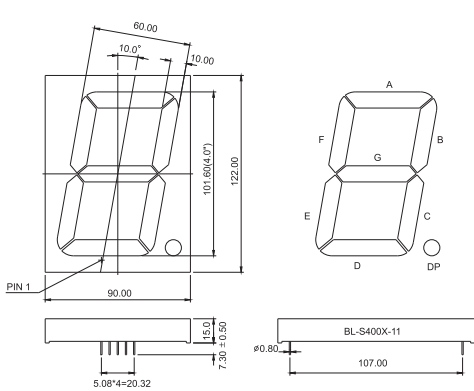
BL-S400D-11



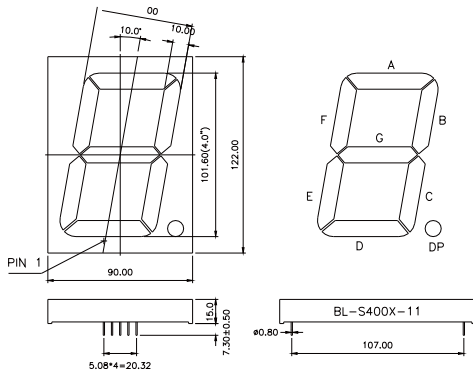
BL-S400H-11



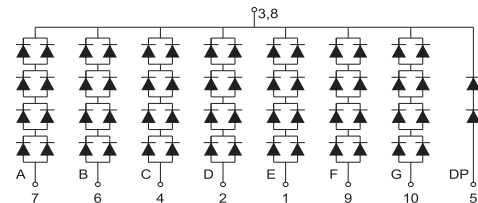
BL-S400X-11 Series



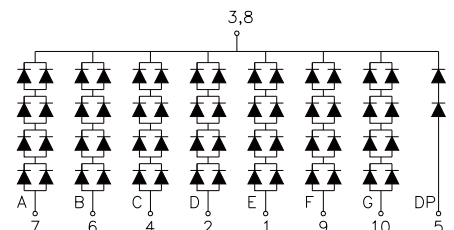
BL-S400X-11 Series



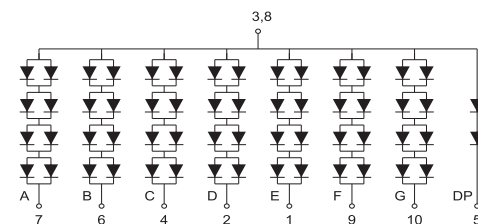
BL-S400E-11



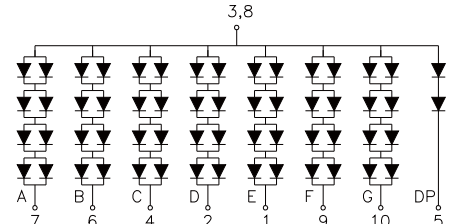
BL-S400I-11



BL-S400F-11



BL-S400J-11



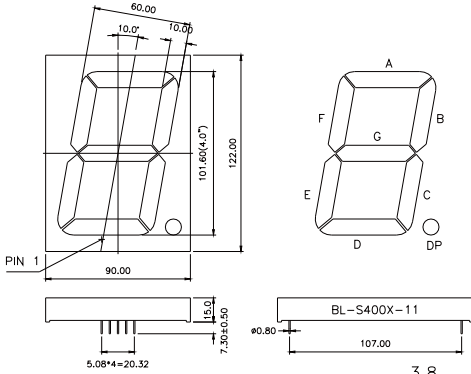
All dimensions are in millimeters (inches)
Tolerance is $\pm 0.25(0.01)$ unless otherwise note

For more, please visit <http://www.betlux.com>

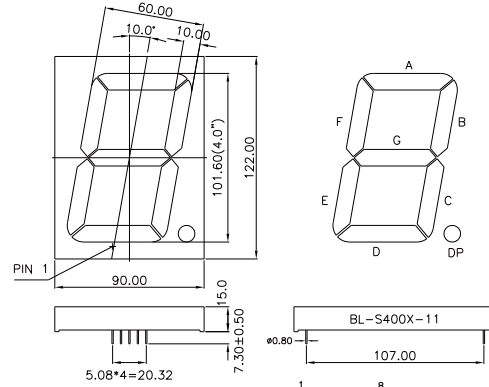
Single Digit Seven Segment LED display

Dimension and Circuit

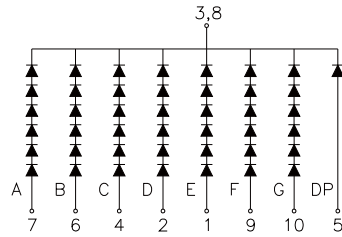
BL-S400X-11 Series



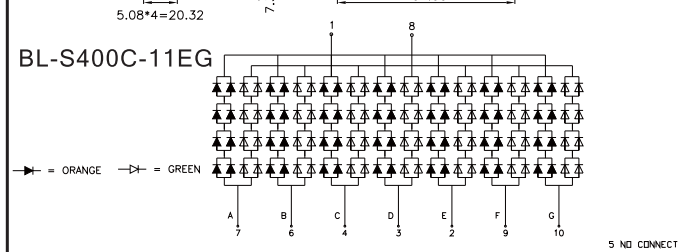
BL-S400X-11 Series



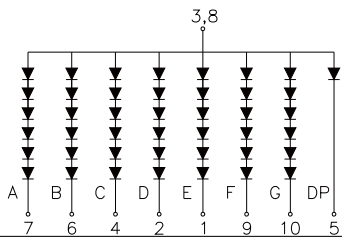
BL-S400K-11



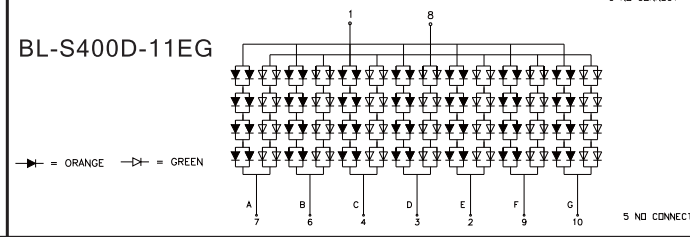
BL-S400C-11EG



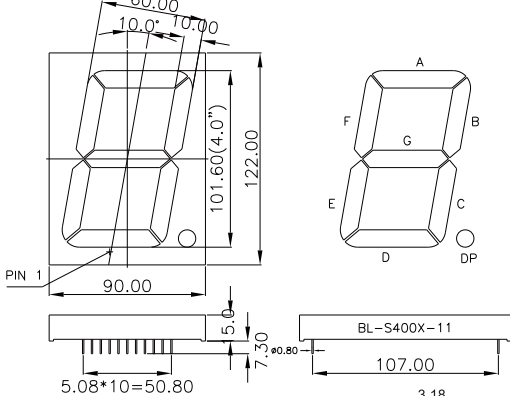
BL-S400L-11



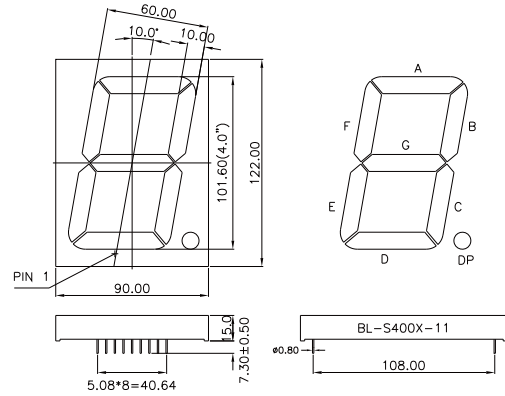
BL-S400D-11EG



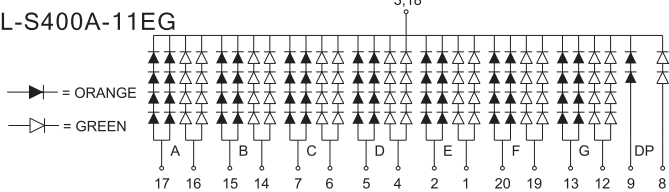
BL-S400X-11 Series



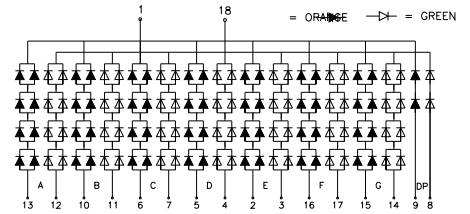
BL-S400X-11 Series



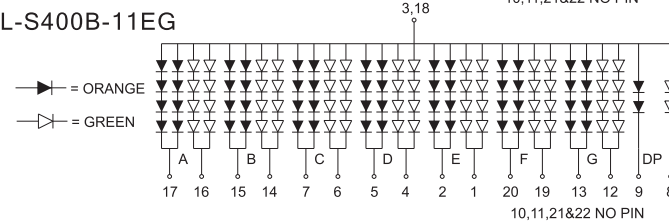
BL-S400A-11EG



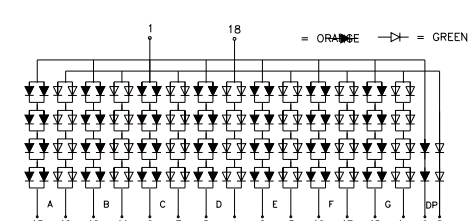
BL-S400E-11EG



BL-S400B-11EG



BL-S400F-11EG



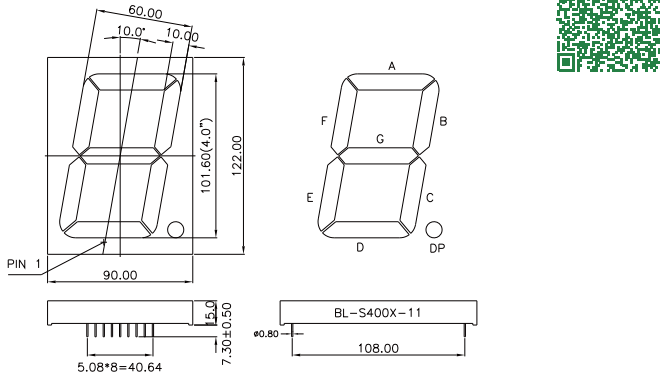
All dimensions are in millimeters (inches)
Tolerance is $\pm 0.25(0.01)$ unless otherwise note

For more, please visit <http://www.betlux.com>

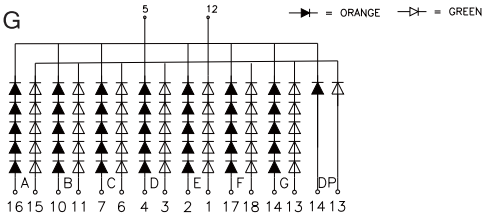
Single Digit Seven Segment LED display

Dimension and Circuit

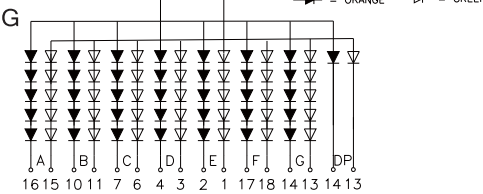
BL-S400X-11 Series



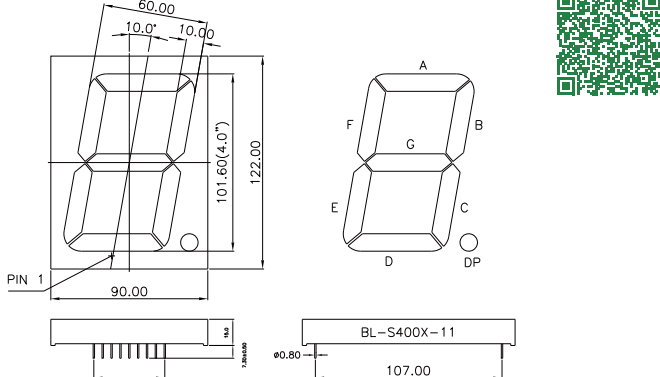
BL-S400G-11EG



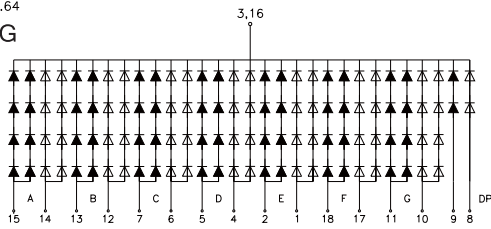
BL-S400H-11EG



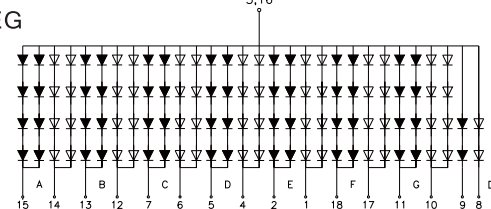
BL-S400X-11 Series



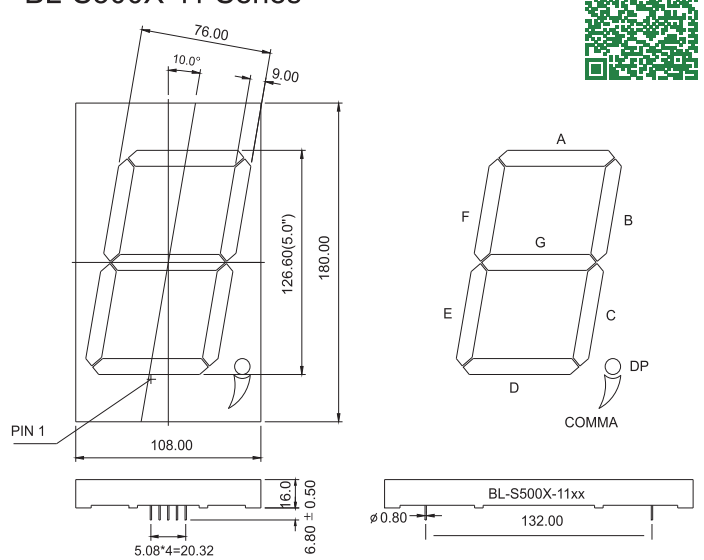
BL-S400I-11EG



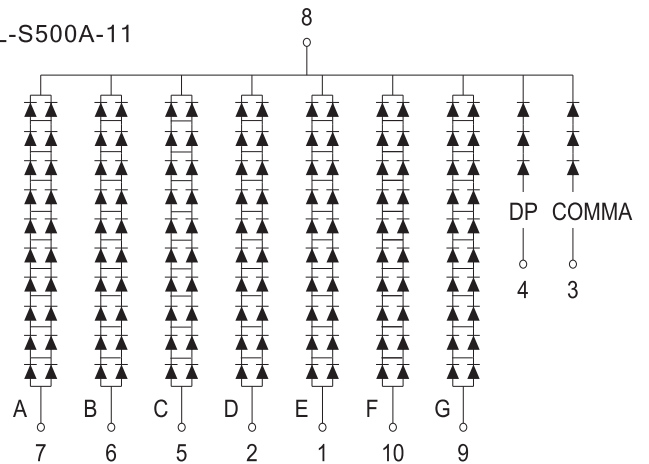
BL-S400J-11EG



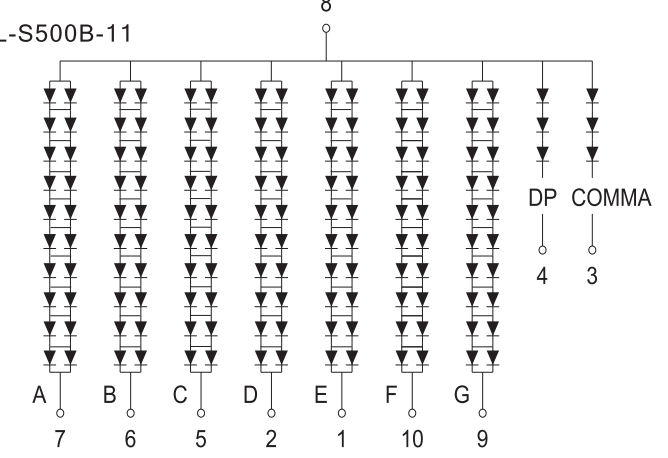
BL-S500X-11 Series



BL-S500A-11



BL-S500B-11



All dimensions are in millimeters (inches)
Tolerance is $\pm 0.25(0.01)$ unless otherwise note

For more, please visit <http://www.betlux.com>