

Designation system


LED Cluster


BL- C S 10 A 1R1G1B - XXX

BETLUX

C- LED Cluster

Shape:

S-Square 

R-Round 

Display Unit Dimension and Quantity

Model Number: A. B. C.....

Color Code and Color combination
 R: UR, UE,UHR
 G: UG,PG,BG
 B: B,UB
 Y:UY
 W:UW

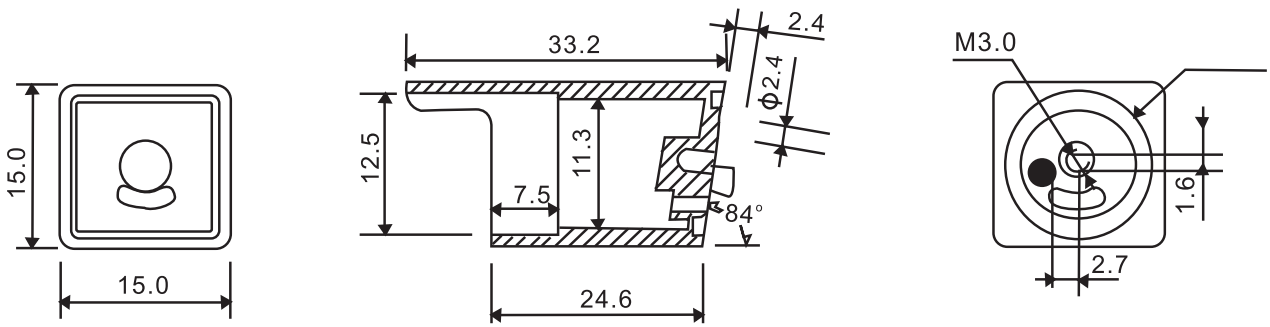
below is the color code designation

Special Device

| Code | Color | Wave length(nm) | Material |
|------|-------------------|-----------------|------------|
| UR | Ultra Red | 660 | AlGaAs,DDH |
| UHR | Ultra Red | 640 | AlGaInP |
| UE | Ultra Red | 630 | AlGaInP |
| UG | Ultra Green | 574 | AlGaInP |
| PG | Ultra Pure Green | 525 | AlGaInP |
| BG | Ultra Blish Green | 505 | AlGaInP |
| UY | Ultra Yellow | 590 | AlGaInP |
| UYO | Ultra Amber | 610 | AlGaInP |
| B | Blue | 460 | InGaN |
| UB | Ultra Blue | 470 | InGaN |
| UW | Ultra White | - | InGaN |
| UW | Ultra Warm White | - | InGaN |

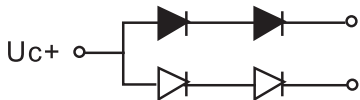
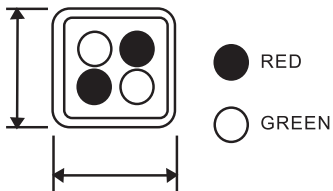
PACKAGE DIMENSION

BL-CS15A Series

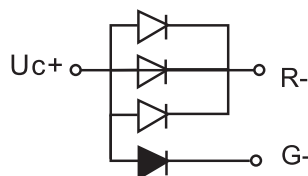
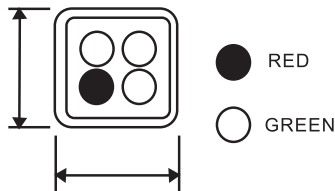


INTERNAL CIRCUIT DIAGRAM

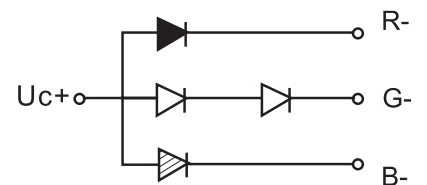
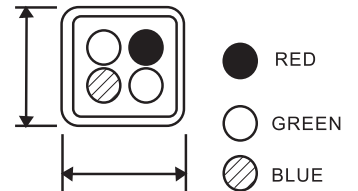
BL-CS15AR2G2



BL-CS15AR1G3

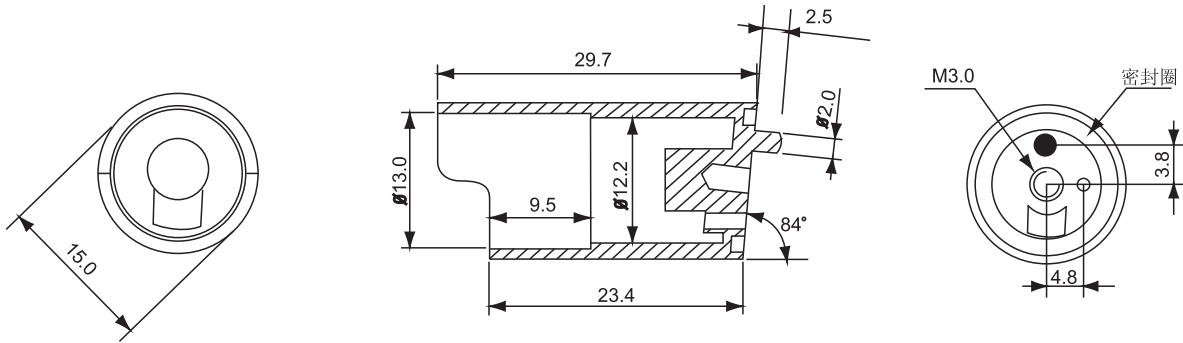


BL-CS15AR1G2B1



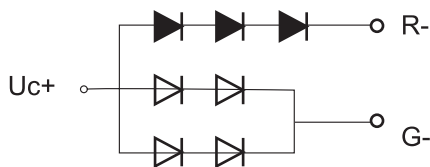
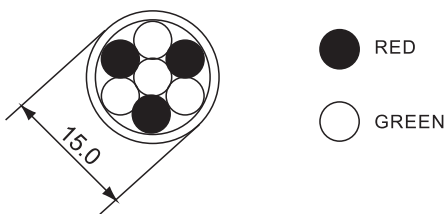
PACKAGE DIMENSION

BL-CR15A Series



INTERNAL CIRCUIT DIAGRAM

BL-CR15AR3G4



BL-CR15AR2G3

